

Insulation Pipe Support



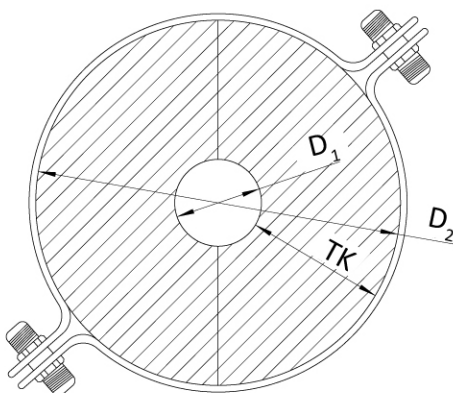
Description

Material: Galvanized Steel, PU Foam, PVC
 Width: Customized
 Insulation Thickness: 32mm or customized
 Nut: M8; Screw: M6x20

Features:

- Low thermal conductivity, good performance on cold & heat insulation effect;
- Volume stability under ultra-low temperature / high temperature;
- High compressive and flexural resistance;
- Low moisture content, flame retardant;
- Standardized manufacturing, a variety of specifications designed for the selection.

Tech.



DN(D ₁) mm	Clamp Dia.(D ₂) mm	Insulation TK. mm
15	79	32
20	84	32
25	89	32
32	96	32
40	104	32
50	114	32
65	129	32
80	144	32
100	164	32
125	189	32
150	214	32
200	264	32
250	314	32
300	364	32
400	464	32
450	514	32
500	564	32

* More sizes can be customized.

Test Data Sheet (23±2°C, 50±5%RH)

Density	Kg/m ³	150±10
Temperature Resistance	°C	-50 to 150
Thermal Conductivity(0°C)	w/(m.k)	0.034
Thermal Conductivity(+20°C)	w/(m.k)	0.036
Thermal Conductivity(+40°C)	w/(m.k)	0.038
Compression Strength	Mpa	≥0.8
Material	-	PUR
Inflaming Retarding	-	self extinguishing
Ozone Resistance	-	excellent
Oil Resistance	-	excellent
Toxicity	-	Non
Chemical Resistance	-	excellent