

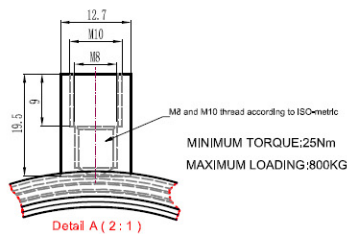
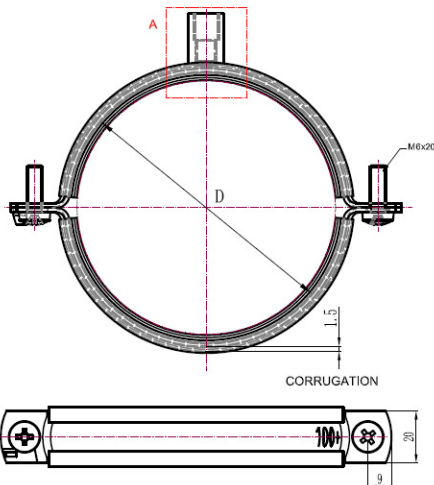
Clamps



Description

Material: galvanized steel, EPDM Rubber
 Width: 20mm
 Thickness: 1.5mm(contains rubber & steel)
 Nut: M8; Screw: M6x20
 Standard: ISO9002

Dimensions



Size mm	OD Range mm
15	12-16
18	15-19
22	20-25
28	26-30
35	32-36
40	38-42
48	47-51
54	53-58
60	60-64
70	68-72
75	75-80
80	85-87
90	93-95
100	105-107
110	113-115
125	130-132
150	155-157
160	165-167
180	185-187
200	205-207
224	229-231
225	230-232
250	255-257
280	285-287
300	305-307
315	320-322