



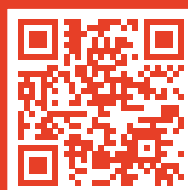
MIRACLE HILL
CHINA REFRIGERATION

DUCT FITTINGS

Galvanized Steel



VENTILATION - CONSTRUCTION



Contacts Here

www.cnrefri.com



DUCT FITTINGS

Pipes



λ Description

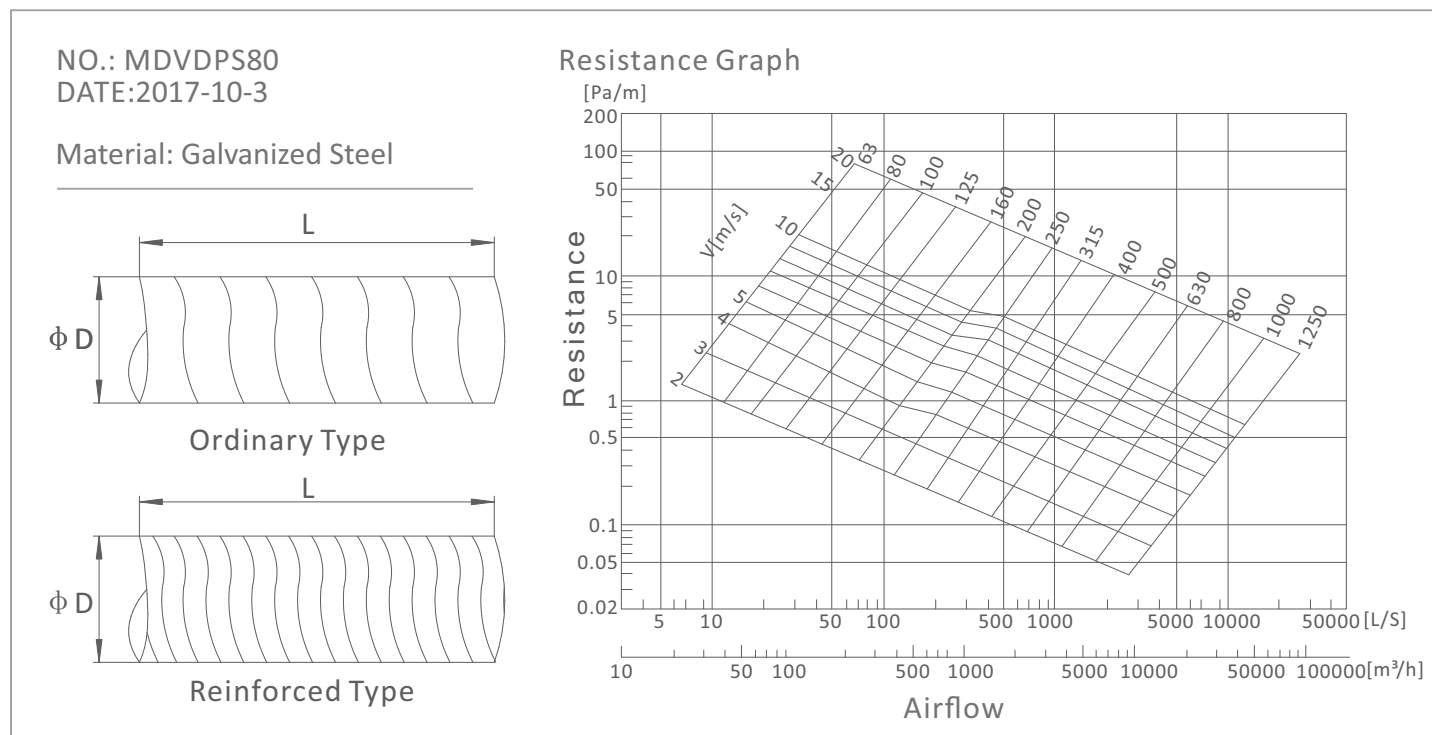
The Spiral Duct / spiral pipe is used in ventilation systems. To distribute the air in the duct. Usually being connected with fittings like elbow at the end.

λ Application

Apply to ventilation system, it is a common series for the construction.

SPIRAL DUCT

λ Drawing



λ Specification

Code	φ D mm
VDPS80	80
VDPS100	100
VDPS125	125
VDPS150	150
VDPS160	160
VDPS180	180
VDPS200	200
VDPS220	220

Code	φ D mm
VDPS250	250
VDPS280	280
VDPS300	300
VDPS315	315
VDPS350	350
⚡	⚡
VDPS1650	1650

Code	φ D mm
VDPS1700	1700

80 1700



DUCT FITTINGS

Stamped



λ Description

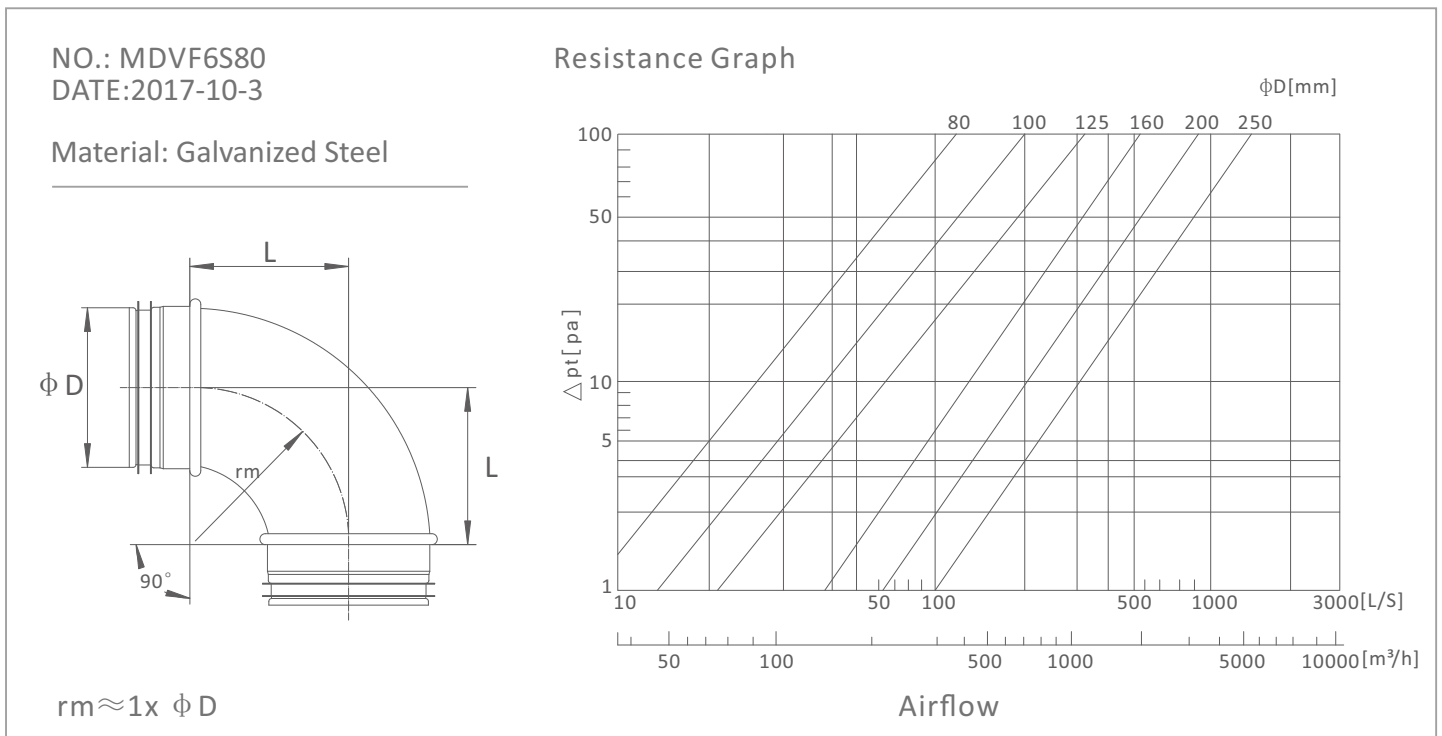
The 90 degree elbow is pressed and seam welded bend. The elbow contains rubber rings. It is used in ventilation system to distribute the air in the duct.

λ Application

Apply to ventilation system of malls, hotels, hospitals and other areas.

STAMPED 90° ELBOW

λ Drawing



λ Specification

Code	ϕD mm	L mm
VF6S80	80	100
VF6S100	100	100
VF6S125	125	125
VF6S150	150	150
VF6S160	160	160
VF6S180	180	180
VF6S200	200	200
VF6S220	220	220

Code	ϕD mm	L mm
VF6S250	250	250





DUCT FITTINGS

Stamped



λ Description

The 60 degree elbow is pressed and seam welded bend. The elbow contains rubber rings. It is used in ventilation system to distribute the air in the duct.

λ Application

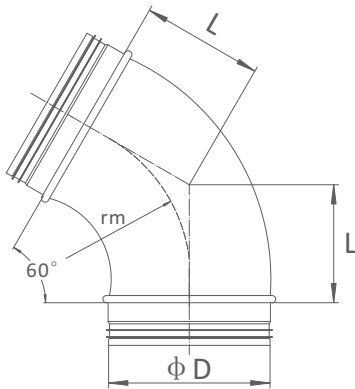
Apply to ventilation system of malls, hotels, hospitals and other areas.

STAMPED 60° ELBOW

λ Drawing

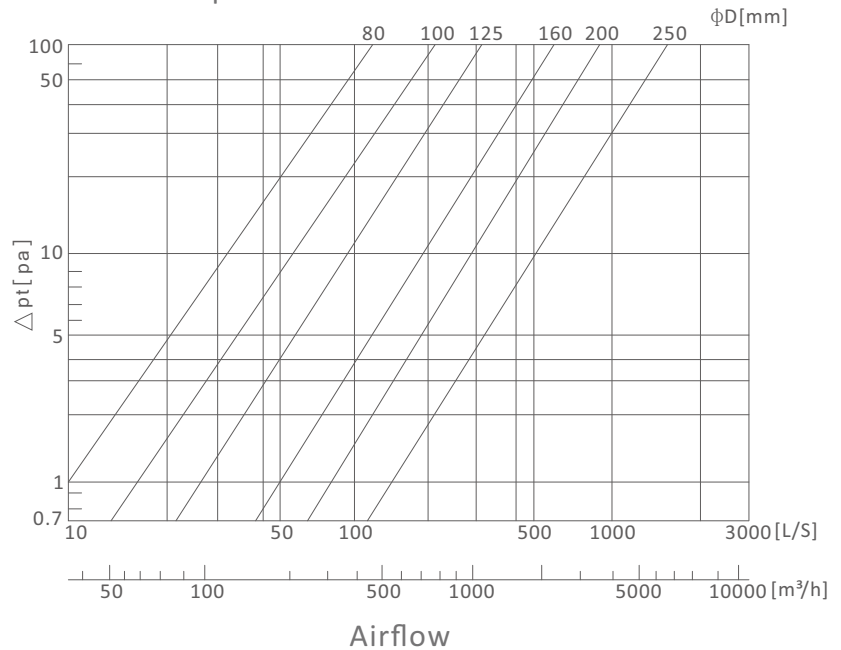
NO.: MDVF4S80
DATE:2017-10-3

Material: Galvanized Steel



$rm \approx 1x \phi D$

Resistance Graph



λ Specification

Code	φ D mm	L mm
VF4S80	80	58
VF4S100	100	58
VF4S125	125	72
VF4S150	150	87
VF4S160	160	92
VF4S180	180	104
VF4S200	200	115
VF4S220	220	128

Code	φ D mm	L mm
VF4S250	250	144





DUCT FITTINGS

Stamped



λ Description

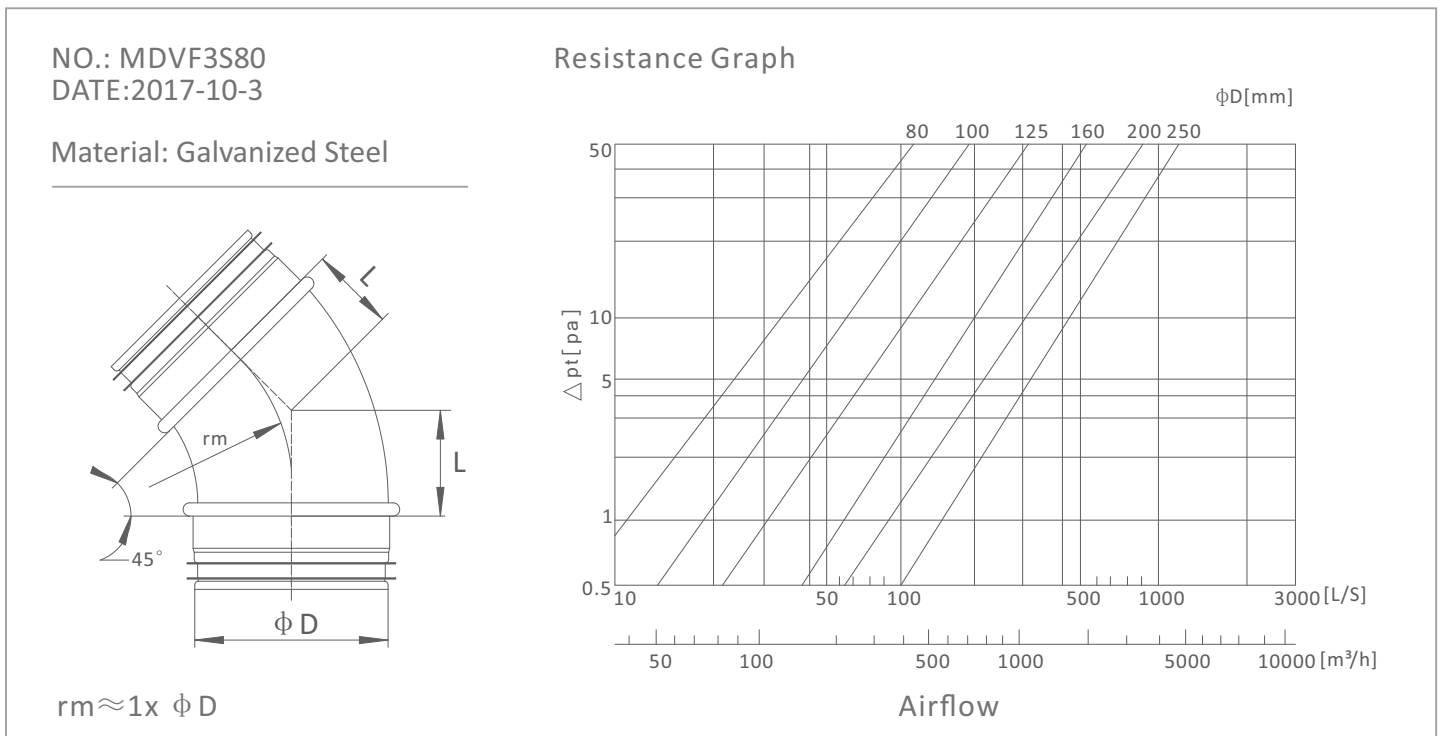
The 45 degree elbow is pressed and seam welded bend. The elbow contains rubber rings. It is used in ventilation system to distribute the air in the duct.

λ Application

Apply to ventilation system of malls, hotels, hospitals and other areas.

STAMPED 45° ELBOW

λ Drawing



λ Specification

Code	ϕD mm	L mm
VF3S80	80	41
VF3S100	100	41
VF3S125	125	52
VF3S150	150	62
VF3S160	160	66
VF3S180	180	76
VF3S200	200	83
VF3S220	220	92

Code	ϕD mm	L mm
VF3S250	250	103





DUCT FITTINGS

Stamped



STAMPED 30° ELBOW

λ Description

The 30 degree elbow is pressed and seam welded bend. The elbow contains rubber rings. It is used in ventilation system to distribute the air in the duct.

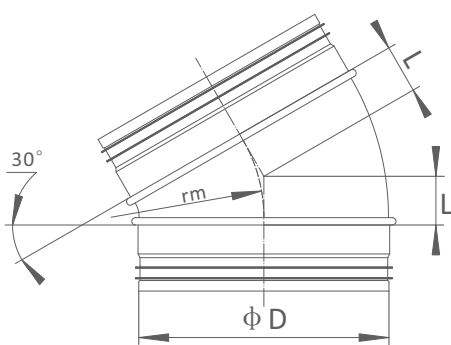
λ Application

Apply to ventilation system of malls, hotels, hospitals and other areas.

λ Drawing

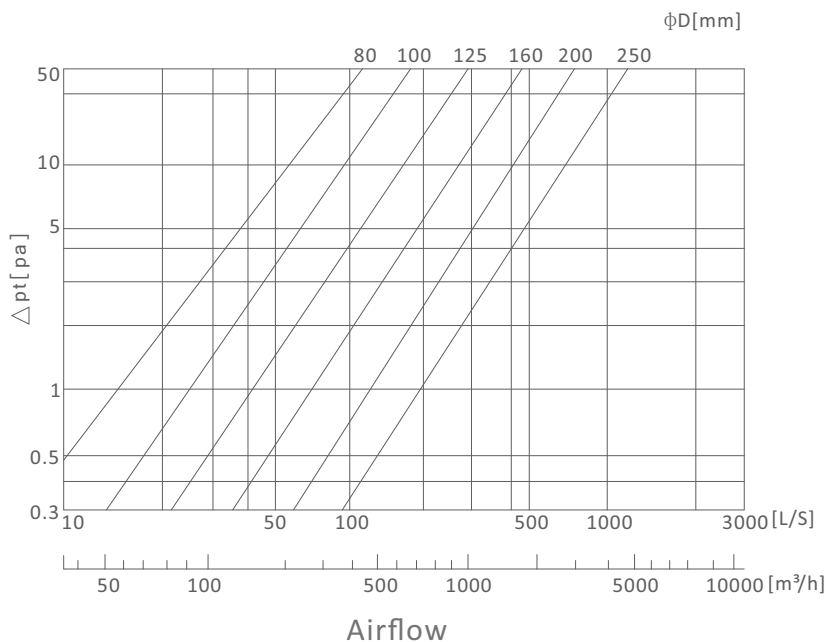
NO.: MDVF2S125
DATE:2017-10-4

Material: Galvanized Steel



$rm \approx 1x \phi D$

Resistance Graph



λ Specification

Code	ϕD mm	L mm
VF2S80	80	27
VF2S100	100	27
VF2S125	125	33
VF2S150	150	40
VF2S160	160	43
VF2S180	180	48
VF2S200	200	54
VF2S220	220	60

Code	ϕD mm	L mm
VF2S250	250	67





DUCT FITTINGS

Stamped



λ Description

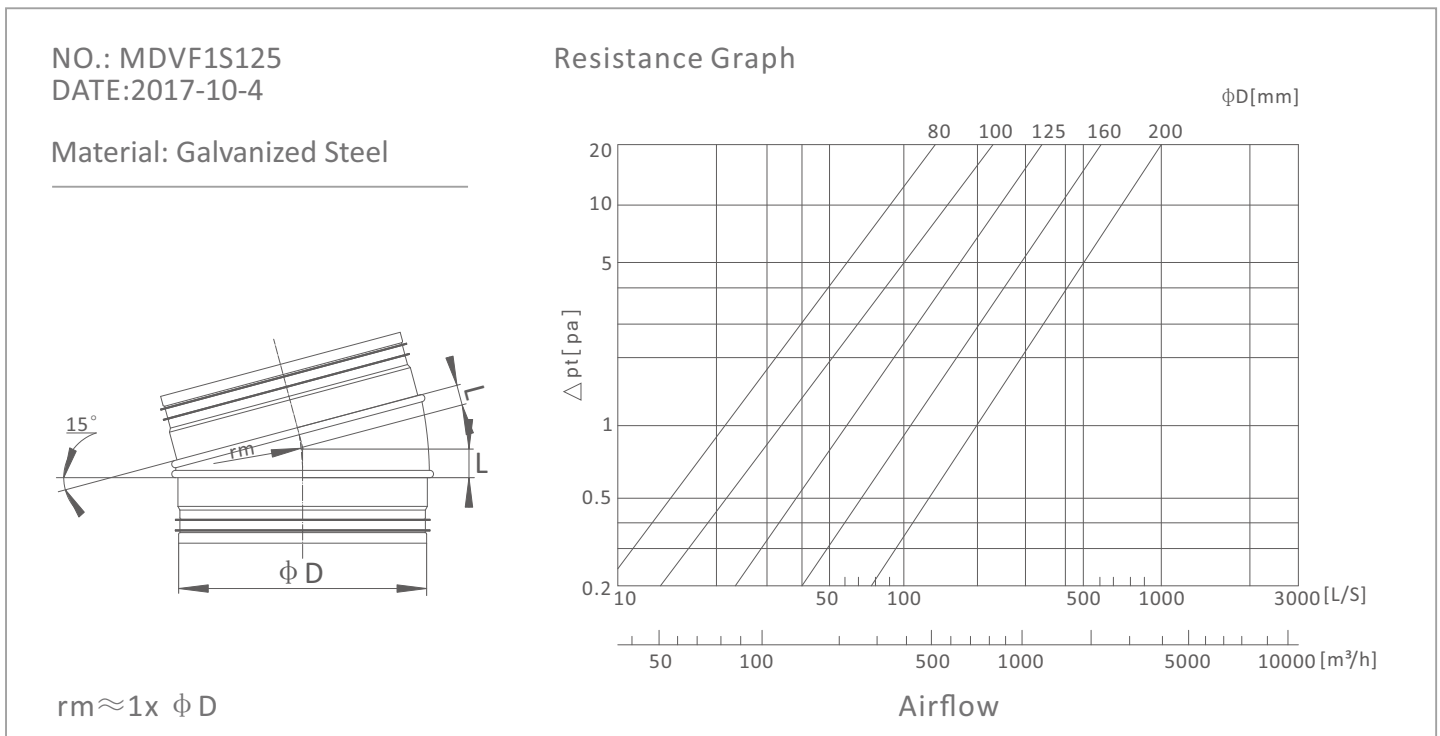
The 15 degree elbow is pressed and seam welded bend. The elbow contains rubber rings. It is used in ventilation system to distribute the air in the duct.

λ Application

Apply to ventilation system of malls, hotels, hospitals and other areas.

STAMPED 15° ELBOW

λ Drawing



λ Specification

Code	φ D mm	L mm
VF1S80	80	13
VF1S100	100	13
VF1S125	125	16
VF1S150	150	20
VF1S160	160	21
VF1S180	180	24
VF1S200	200	26
VF1S220	220	30

Code	φ D mm	L mm
VF1S250	250	35





DUCT FITTINGS

Stamped



λ Description

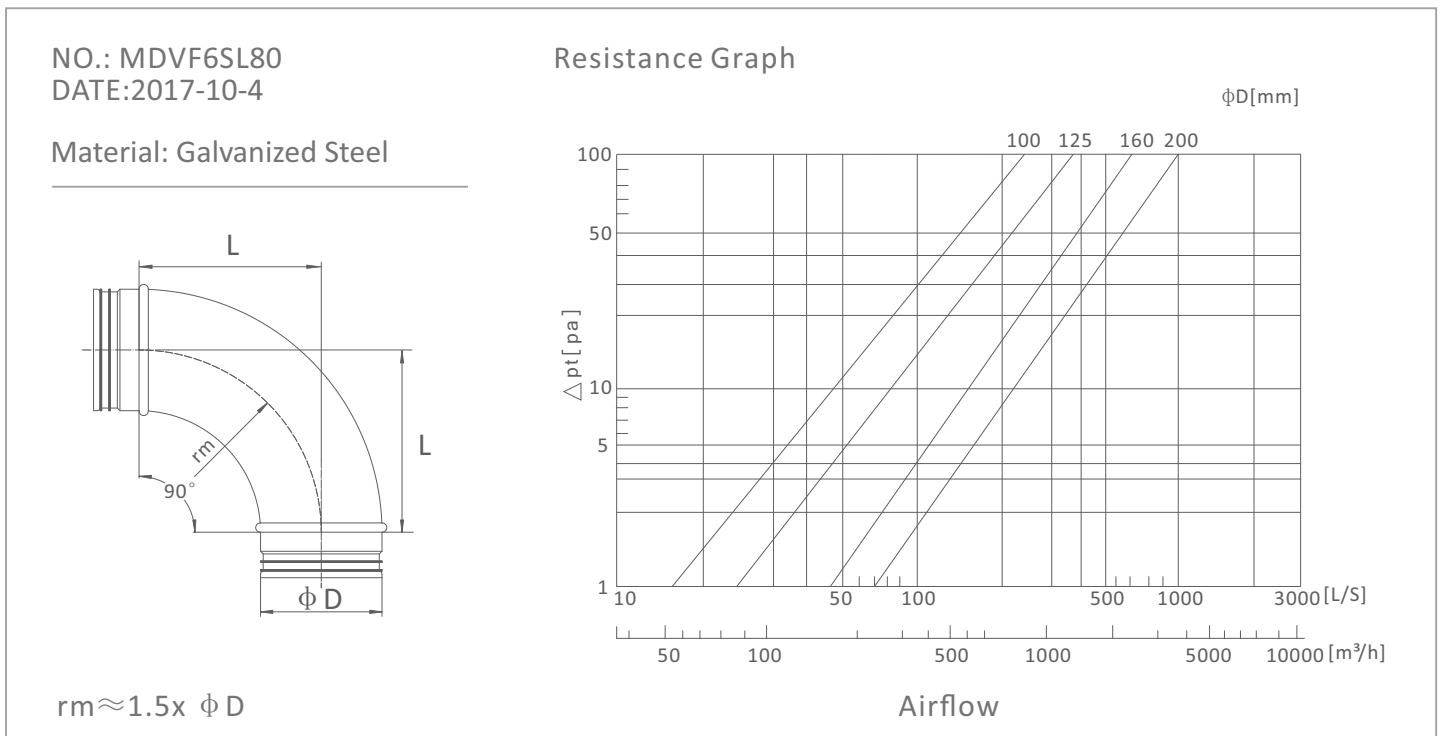
The long turn 90 degree elbow is pressed and seam welded bend. The elbow contains rubber rings. It is used in ventilation system to distribute the air in the duct.

λ Application

Apply to ventilation system of malls, hotels, hospitals and other areas.

STAMPED 90° LONG ELBOW

λ Drawing



λ Specification

Code	φ D mm	L mm
VF6SL80	80	120
VF6SL100	100	150
VF6SL125	125	187.5
VF6SL150	150	225
VF6SL160	160	240
VF6SL180	180	270
VF6SL200	200	300
VF6SL220	220	330

Code	φ D mm	L mm
VF6SL250	250	375





DUCT FITTINGS

Stamped



λ Description

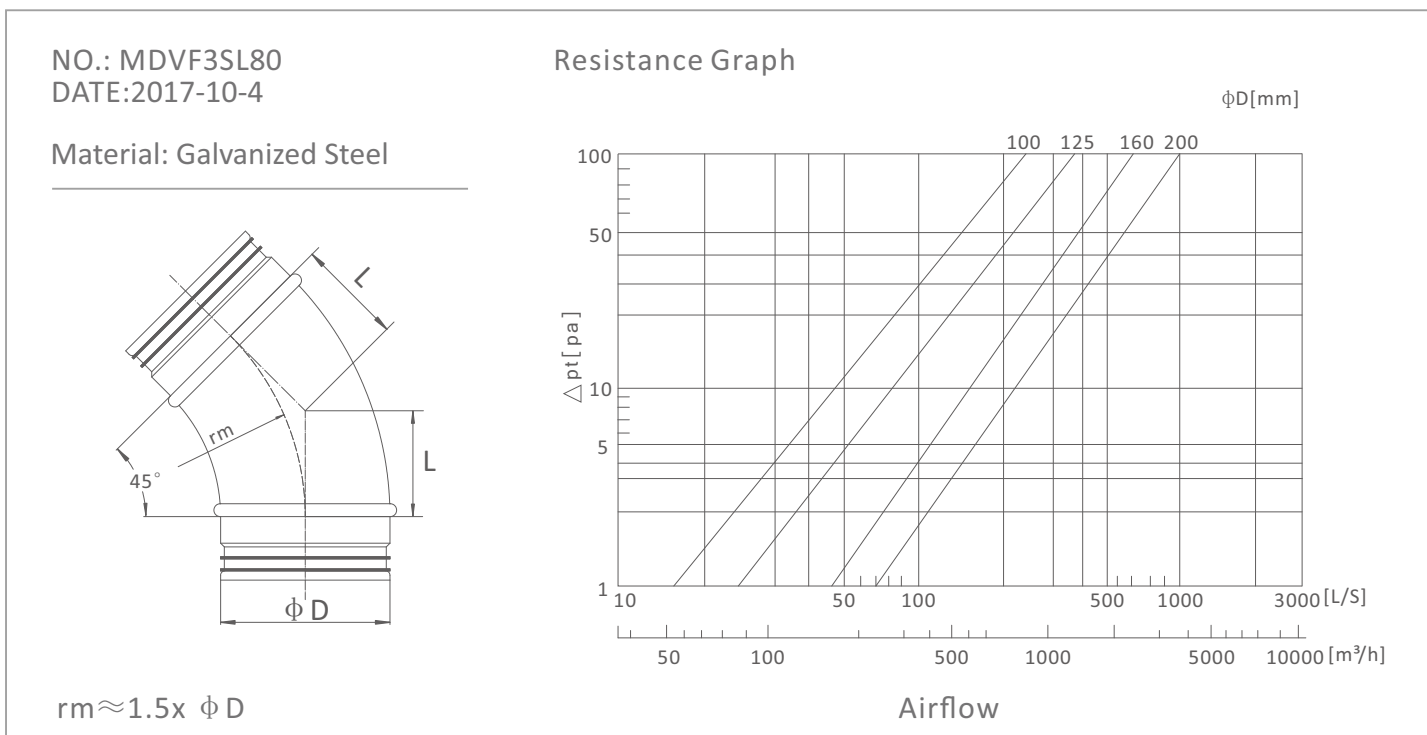
The long turn 45 degree elbow is pressed and seam welded bend. The elbow contains rubber rings. It is used in ventilation system to distribute the air in the duct.

λ Application

Apply to ventilation system of malls, hotels, hospitals and other areas.

STAMPED 45° LONG ELBOW

λ Drawing



λ Specification

Code	φ D mm	L mm
VF3SL80	80	50
VF3SL100	100	62
VF3SL125	125	79
VF3SL150	150	93
VF3SL160	160	100
VF3SL180	180	112
VF3SL200	200	124
VF3SL220	220	136

Code	φ D mm	L mm
VF3SL250	250	155





DUCT FITTINGS

Lockseamed



λ Description

The 90 degree elbow is segmented and lockseamed bend. The elbow contains rubber rings. It is used in ventilation system to distribute the air in the duct.

λ Application

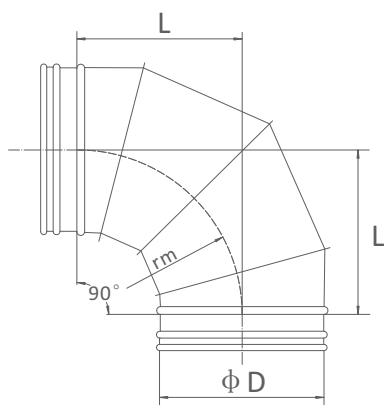
Apply to ventilation system of malls, hotels, hospitals and other areas.

LOCKSEAMED 90° ELBOW

λ Drawing

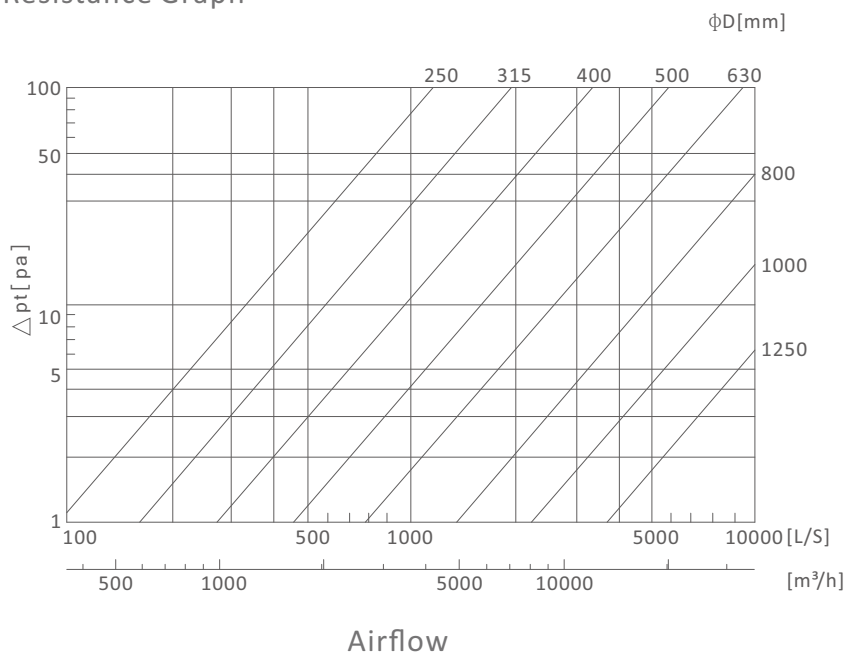
NO.: MDVF6B80
DATE:2017-10-4

Material: Galvanized Steel



$rm \approx 1x \phi D$

Resistance Graph



λ Specification

Range: 80 — 1700

Code	φ D mm	L mm	Code	φ D mm	L mm	Code	φ D mm	L mm	Code	φ D mm	L mm	Code	φ D mm	L mm
VF6B80	80	80	VF6B280	280	280	VF6B480	480	480	VF6B850	850	850	VF6B1300	1300	1300
VF6B100	100	100	VF6B300	300	300	VF6B500	500	500	VF6B900	900	900	VF6B1350	1350	1350
VF6B125	125	125	VF6B315	315	315	VF6B550	550	550	VF6B950	950	950	VF6B1400	1400	1400
VF6B150	150	150	VF6B350	350	350	VF6B600	600	600	VF6B1000	1000	1000	VF6B1450	1450	1450
VF6B160	160	160	VF6B355	355	355	VF6B630	630	630	VF6B1050	1050	1050	VF6B1500	1500	1500
VF6B180	180	180	VF6B380	380	380	VF6B650	650	650	VF6B1100	1100	1100	VF6B1550	1550	1550
VF6B200	200	200	VF6B400	400	400	VF6B700	700	700	VF6B1150	1150	1150	VF6B1600	1600	1600
VF6B220	220	220	VF6B420	420	420	VF6B750	750	750	VF6B1200	1200	1200	VF6B1650	1650	1650
VF6B250	250	250	VF6B450	450	450	VF6B800	800	800	VF6B1250	1250	1250	VF6B1700	1700	1700



DUCT FITTINGS

Lockseamed



Description

The 60 degree elbow is segmented and lockseamed bend. The elbow contains rubber rings. It is used in ventilation system to distribute the air in the duct.

Application

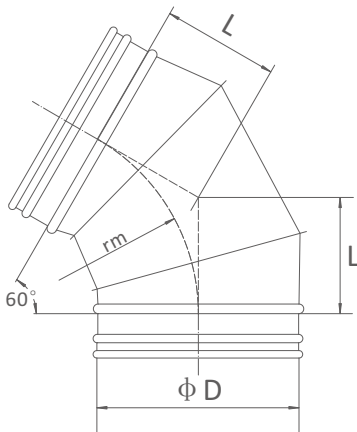
Apply to ventilation system of malls, hotels, hospitals and other areas.

LOCKSEAMED 60° ELBOW

Drawing

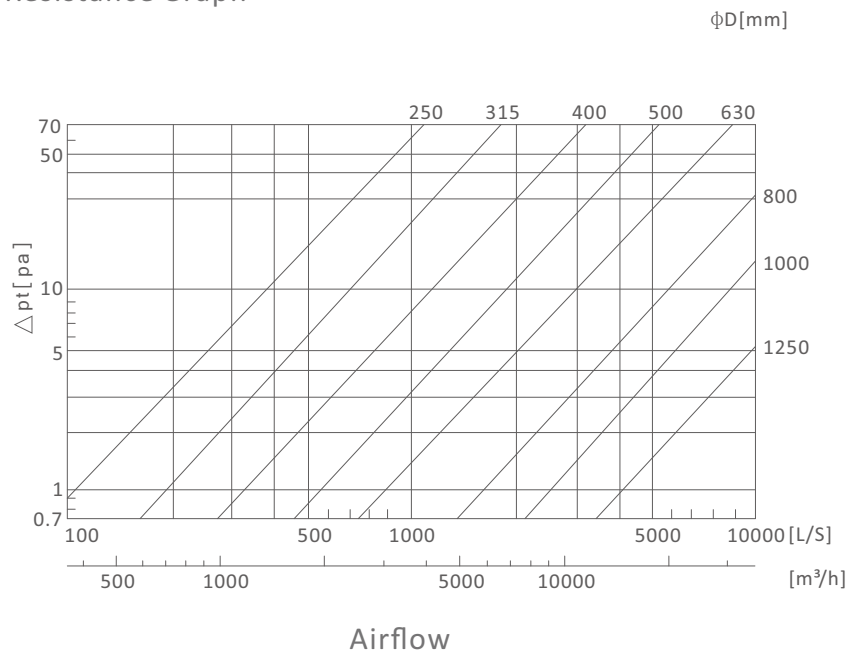
NO.: MDVF4B125
DATE:2017-10-4

Material: Galvanized Steel



$r \approx 1x \phi D$

Resistance Graph



Specification

Range: 80 — 1700

Code	φ D mm	L mm	Code	φ D mm	L mm	Code	φ D mm	L mm	Code	φ D mm	L mm	Code	φ D mm	L mm
VF4B80	80	46	VF4B280	280	162	VF4B480	480	277	VF4B850	850	491	VF4B1300	1300	751
VF4B100	100	58	VF4B300	300	173	VF4B500	500	289	VF4B900	900	520	VF4B1350	1350	780
VF4B125	125	72	VF4B315	315	182	VF4B550	550	318	VF4B950	950	549	VF4B1400	1400	809
VF4B150	150	88	VF4B350	350	202	VF4B600	600	346	VF4B1000	1000	577	VF4B1450	1450	838
VF4B160	160	92	VF4B355	355	205	VF4B630	630	364	VF4B1050	1050	607	VF4B1500	1500	867
VF4B180	180	104	VF4B380	380	220	VF4B650	650	376	VF4B1100	1100	636	VF4B1550	1550	896
VF4B200	200	116	VF4B400	400	231	VF4B700	700	405	VF4B1150	1150	665	VF4B1600	1600	925
VF4B220	220	127	VF4B420	420	242	VF4B750	750	434	VF4B1200	1200	694	VF4B1650	1650	954
VF4B250	250	144	VF4B450	450	260	VF4B800	800	462	VF4B1250	1250	722	VF4B1700	1700	983



DUCT FITTINGS

Lockseamed



λ Description

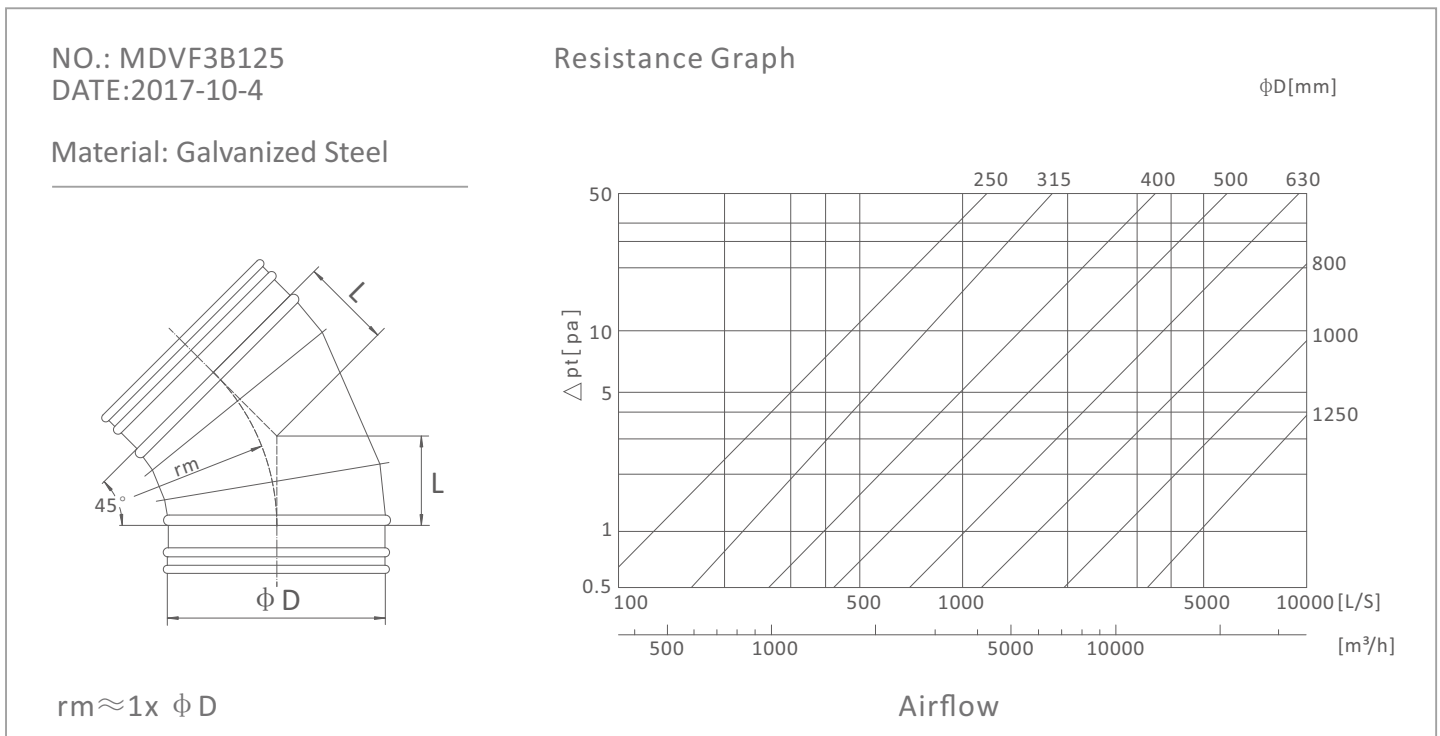
The 45 degree elbow is segmented and lockseamed bend. The elbow contains rubber rings. It is used in ventilation system to distribute the air in the duct.

λ Application

Apply to ventilation system of malls, hotels, hospitals and other areas.

LOCKSEAMED 45° ELBOW

λ Drawing



λ Specification

Range:
80
1700

Code	φ D mm	L mm	Code	φ D mm	L mm	Code	φ D mm	L mm	Code	φ D mm	L mm	Code	φ D mm	L mm
VF3B80	80	33	VF3B280	280	116	VF3B480	480	199	VF3B850	850	352	VF3B1300	1300	539
VF3B100	100	41	VF3B300	300	124	VF3B500	500	207	VF3B900	900	373	VF3B1350	1350	559
VF3B125	125	52	VF3B315	315	130	VF3B550	550	228	VF3B950	950	394	VF3B1400	1400	580
VF3B150	150	62	VF3B350	350	145	VF3B600	600	249	VF3B1000	1000	414	VF3B1450	1450	601
VF3B160	160	66	VF3B355	355	147	VF3B630	630	261	VF3B1050	1050	435	VF3B1500	1500	622
VF3B180	180	75	VF3B380	380	157	VF3B650	650	269	VF3B1100	1100	456	VF3B1550	1550	642
VF3B200	200	83	VF3B400	400	166	VF3B700	700	290	VF3B1150	1150	477	VF3B1600	1600	663
VF3B220	220	91	VF3B420	420	174	VF3B750	750	311	VF3B1200	1200	497	VF3B1650	1650	684
VF3B250	250	104	VF3B450	450	186	VF3B800	800	331	VF3B1250	1250	518	VF3B1700	1700	704



DUCT FITTINGS

Lockseamed



λ Description

The 30 degree elbow is segmented and lockseamed bend. The elbow contains rubber rings. It is used in ventilation system to distribute the air in the duct.

λ Application

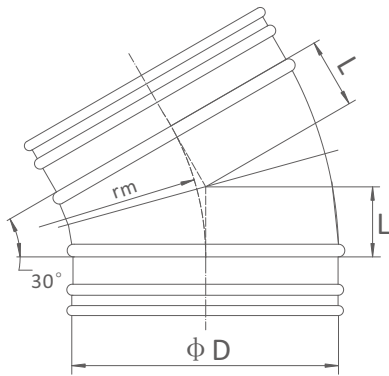
Apply to ventilation system of malls, hotels, hospitals and other areas.

LOCKSEAMED 30° ELBOW

λ Drawing

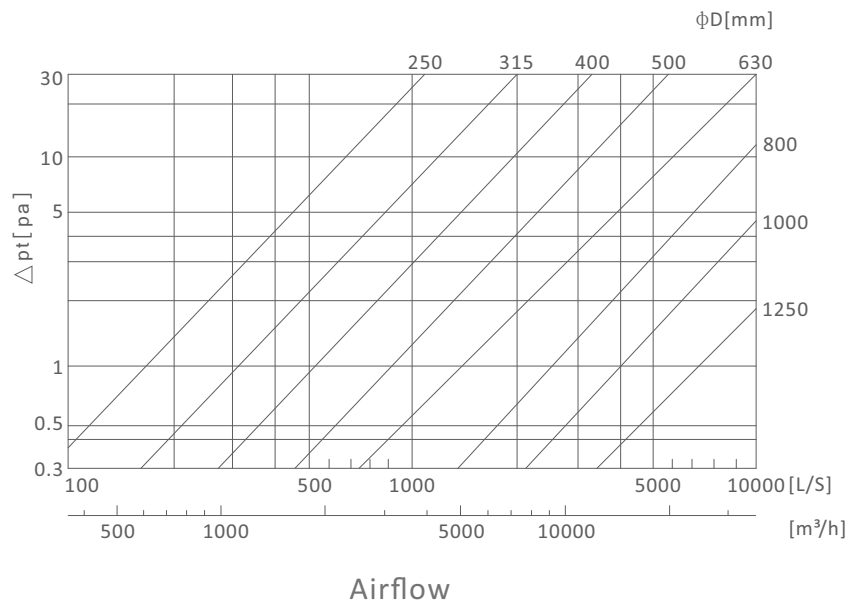
NO.: MDVF2B125
DATE:2017-10-4

Material: Galvanized Steel



$rm \approx 1x \phi D$

Resistance Graph



λ Specification

Range: 80 ————— 1700

Code	φ D mm	L mm	Code	φ D mm	L mm	Code	φ D mm	L mm	Code	φ D mm	L mm	Code	φ D mm	L mm
VF2B80	80	21	VF2B280	280	75	VF2B480	480	129	VF2B850	850	228	VF2B1300	1300	348
VF2B100	100	27	VF2B300	300	80	VF2B500	500	134	VF2B900	900	241	VF2B1350	1350	362
VF2B125	125	34	VF2B315	315	84	VF2B550	550	147	VF2B950	950	255	VF2B1400	1400	375
VF2B150	150	40	VF2B350	350	94	VF2B600	600	161	VF2B1000	1000	268	VF2B1450	1450	389
VF2B160	160	43	VF2B355	355	95	VF2B630	630	169	VF2B1050	1050	281	VF2B1500	1500	402
VF2B180	180	48	VF2B380	380	102	VF2B650	650	174	VF2B1100	1100	295	VF2B1550	1550	415
VF2B200	200	54	VF2B400	400	107	VF2B700	700	188	VF2B1150	1150	308	VF2B1600	1600	429
VF2B220	220	59	VF2B420	420	113	VF2B750	750	201	VF2B1200	1200	322	VF2B1650	1650	442
VF2B250	250	67	VF2B450	450	121	VF2B800	800	214	VF2B1250	1250	335	VF2B1700	1700	456



DUCT FITTINGS

Lockseamed



λ Description

The 15 degree elbow is segmented and lockseamed bend. The elbow contains rubber rings. It is used in ventilation system to distribute the air in the duct.

λ Application

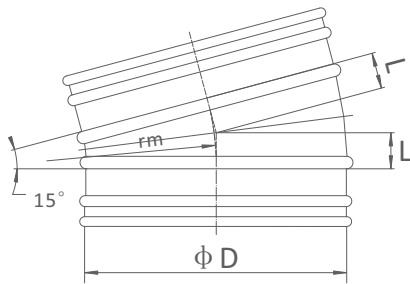
Apply to ventilation system of malls, hotels, hospitals and other areas.

LOCKSEAMED 15° ELBOW

λ Drawing

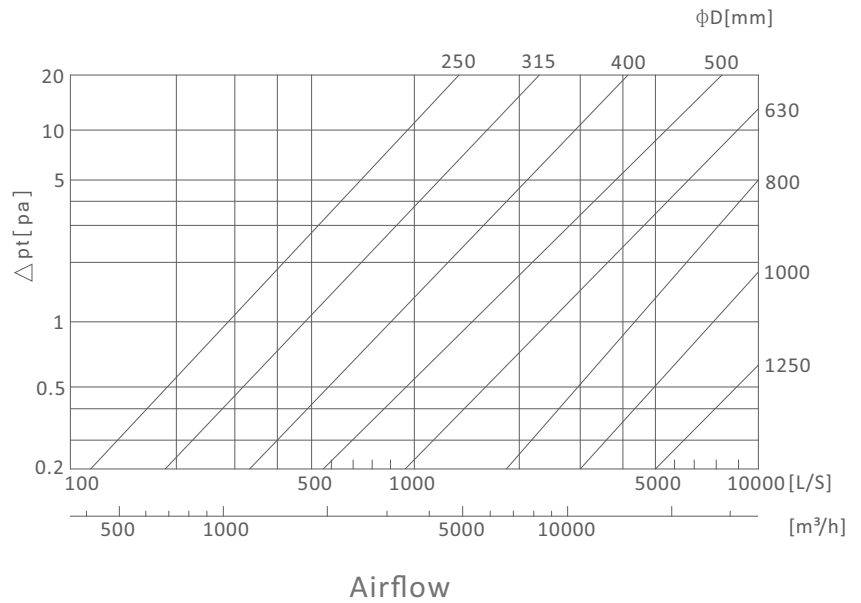
NO.: MDVF1B125
DATE:2017-10-4

Material: Galvanized Steel



$r_m \approx 1x \phi D$

Resistance Graph



λ Specification

Range: 80 — 1700

Code	φ D mm	L mm	Code	φ D mm	L mm	Code	φ D mm	L mm	Code	φ D mm	L mm	Code	φ D mm	L mm
VF1B80	80	11	VF1B280	280	37	VF1B480	480	63	VF1B850	850	112	VF1B1300	1300	172
VF1B100	100	13	VF1B300	300	39	VF1B500	500	66	VF1B900	900	118	VF1B1350	1350	178
VF1B125	125	17	VF1B315	315	41	VF1B550	550	73	VF1B950	950	125	VF1B1400	1400	185
VF1B150	150	20	VF1B350	350	46	VF1B600	600	79	VF1B1000	1000	132	VF1B1450	1450	191
VF1B160	160	21	VF1B355	355	47	VF1B630	630	83	VF1B1050	1050	139	VF1B1500	1500	198
VF1B180	180	24	VF1B380	380	50	VF1B650	650	86	VF1B1100	1100	145	VF1B1550	1550	205
VF1B200	200	26	VF1B400	400	53	VF1B700	700	92	VF1B1150	1150	152	VF1B1600	1600	211
VF1B220	220	29	VF1B420	420	55	VF1B750	750	99	VF1B1200	1200	158	VF1B1650	1650	218
VF1B250	250	33	VF1B450	450	59	VF1B800	800	105	VF1B1250	1250	165	VF1B1700	1700	224



DUCT FITTINGS

Lockseamed



λ Description

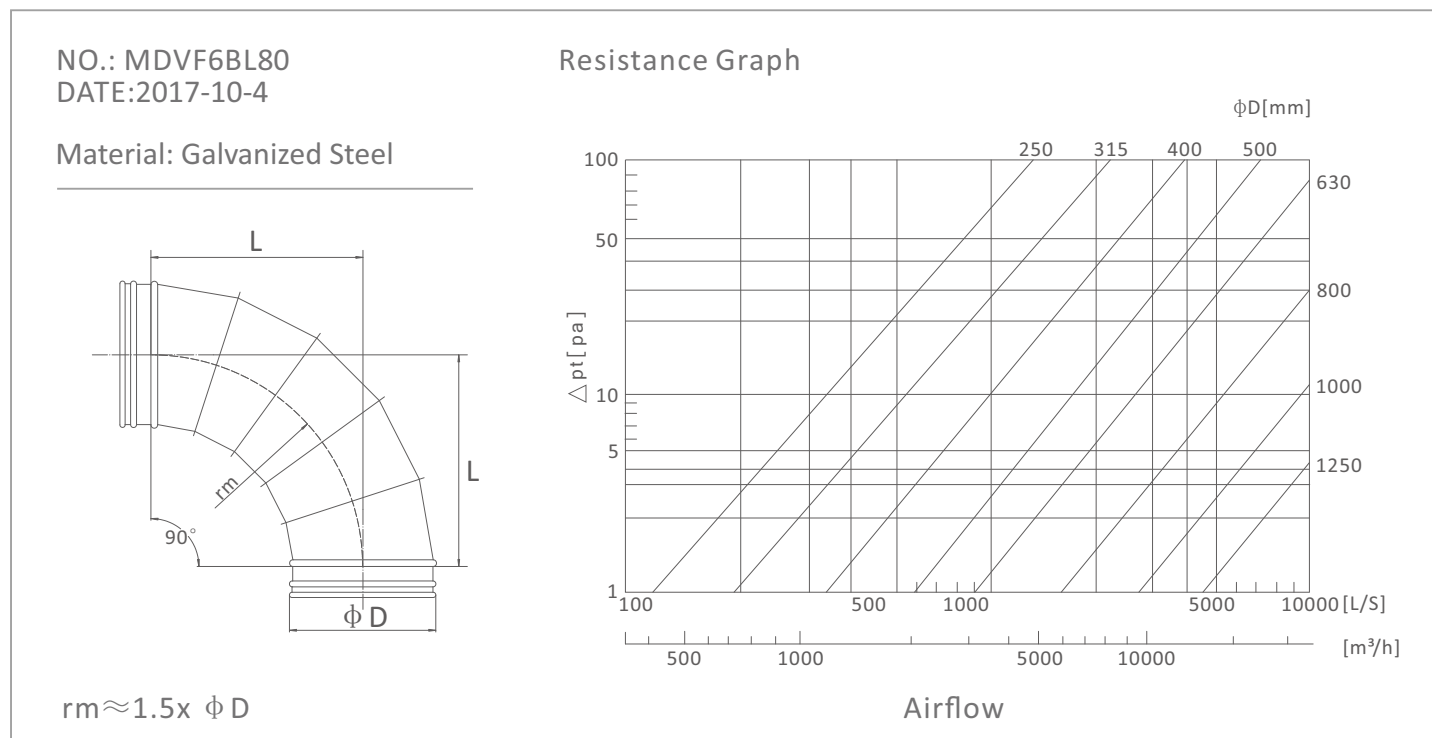
The 90 deg. long turn elbow is segmented and lockseamed bend. The elbow contains rubber rings. It is used in ventilation system to distribute the air in the duct.

λ Application

Apply to ventilation system of malls, hotels, hospitals and other areas.

LOCKSEAMED 90° LONG ELBOW

λ Drawing



λ Specification

Range:
80
1700

Code	φ D mm	L mm	Code	φ D mm	L mm	Code	φ D mm	L mm	Code	φ D mm	L mm	Code	φ D mm	L mm
VF6BL80	80	120	VF6BL280	280	420	VF6BL480	480	720	VF6BL850	850	1275	VF6BL1300	1300	1950
VF6BL100	100	150	VF6BL300	300	450	VF6BL500	500	750	VF6BL900	900	1350	VF6BL1350	1350	2025
VF6BL125	125	188	VF6BL315	315	473	VF6BL550	550	825	VF6BL950	950	1425	VF6BL1400	1400	2100
VF6BL150	150	225	VF6BL350	350	525	VF6BL600	600	900	VF6BL1000	1000	1500	VF6BL1450	1450	2175
VF6BL160	160	240	VF6BL355	355	533	VF6BL630	630	945	VF6BL1050	1050	1575	VF6BL1500	1500	2250
VF6BL180	180	270	VF6BL380	380	570	VF6BL650	650	975	VF6BL1100	1100	1650	VF6BL1550	1550	2325
VF6BL200	200	300	VF6BL400	400	600	VF6BL700	700	1050	VF6BL1150	1150	1725	VF6BL1600	1600	2400
VF6BL220	220	330	VF6BL420	420	630	VF6BL750	750	1125	VF6BL1200	1200	1800	VF6BL1650	1650	2475
VF6BL250	250	375	VF6BL450	450	675	VF6BL800	800	1200	VF6BL1250	1250	1875	VFLBL1700	1700	2550



DUCT FITTINGS

Lockseamed



λ Description

The 45 deg. long turn elbow is segmented and lockseamed bend. The elbow contains rubber rings. It is used in ventilation system to distribute the air in the duct.

λ Application

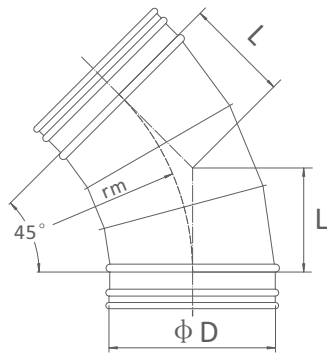
Apply to ventilation system of malls, hotels, hospitals and other areas.

LOCKSEAMED 45° LONG ELBOW

λ Drawing

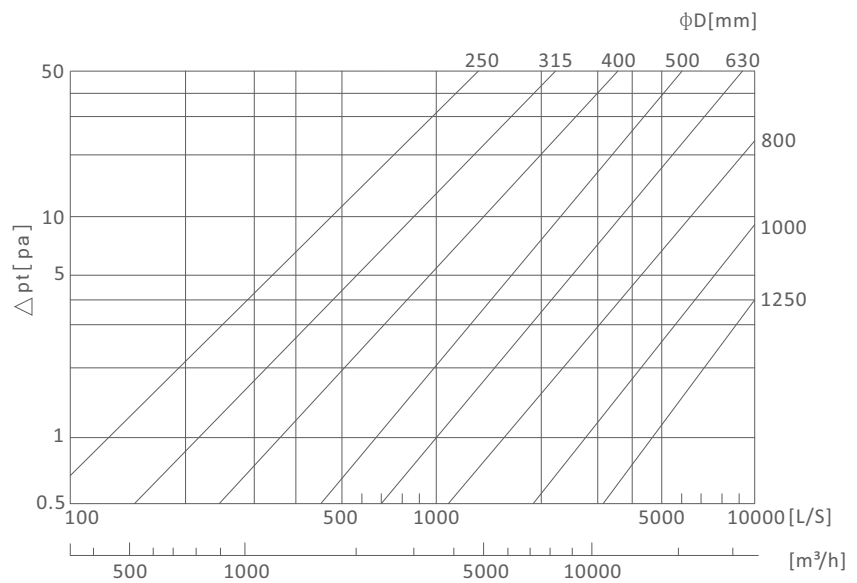
NO.: MDVF3BL100
DATE:2017-10-4

Material: Galvanized Steel



$rm \approx 1.5x \phi D$

Resistance Graph



λ Specification

Range:
80
1700

Code	φ D mm	L mm	Code	φ D mm	L mm	Code	φ D mm	L mm	Code	φ D mm	L mm	Code	φ D mm	L mm
VF3BL80	80	50	VF3BL280	280	174	VF3BL480	480	298	VF3BL850	850	528	VF3BL1300	1300	807
VF3BL100	100	62	VF3BL300	300	186	VF3BL500	500	311	VF3BL900	900	559	VF3BL1350	1350	838
VF3BL125	125	78	VF3BL315	315	196	VF3BL550	550	342	VF3BL950	950	590	VF3BL1400	1400	869
VF3BL150	150	93	VF3BL350	350	217	VF3BL600	600	373	VF3BL1000	1000	621	VF3BL1450	1450	900
VF3BL160	160	99	VF3BL355	355	221	VF3BL630	630	391	VF3BL1050	1050	652	VF3BL1500	1500	932
VF3BL180	180	112	VF3BL380	380	236	VF3BL650	650	404	VF3BL1100	1100	683	VF3BL1550	1550	963
VF3BL200	200	124	VF3BL400	400	249	VF3BL700	700	435	VF3BL1150	1150	714	VF3BL1600	1600	994
VF3BL220	220	137	VF3BL420	420	261	VF3BL750	750	466	VF3BL1200	1200	745	VF3BL1650	1650	1025
VF3BL250	250	155	VF3BL450	450	280	VF3BL800	800	497	VF3BL1250	1250	777	VF3BL1700	1700	1056



DUCT FITTINGS

STAMPED



PRESSED TEE

λ Description

The Tee is pressed or stamped in type T . It contains rubber rings to reach sealing effect. It is used in ventilation system to distribute the air in the duct.

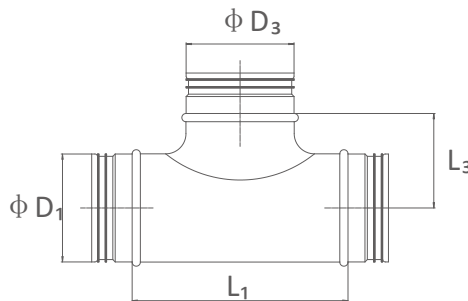
λ Application

Apply to ventilation system of malls, hotels, hospitals and other areas.

λ Drawing

NO.: MDVFTP125125
DATE:2017-10-4

Material: Galvanized Steel



λ Specification

Range: 80 ————— 1700

Code	Φ D ₁ mm	Φ D ₃ mm	L ₁ mm	L ₃ mm
VFTP8080	80	80	160	70
VFTP10080	100	80	160	80
VFTP100100	100	100	180	80
VFTP12580	125	80	160	93
VFTP125100	125	100	180	93
VFTP125125	125	125	205	93
VFTP15080	150	80	160	105
VFTP150100	150	100	180	105
VFTP150125	150	125	205	105
VFTP150150	150	150	230	105
VFTP16080	160	80	160	110
VFTP160100	160	100	180	110

Code	Φ D ₁ mm	Φ D ₃ mm	L ₁ mm	L ₃ mm
VFTP160125	160	125	205	110
VFTP160150	160	150	230	110
VFTP160160	160	160	240	110
VFTP18080	180	80	160	120
VFTP180100	180	100	180	120
VFTP180125	180	125	205	120
VFTP180150	180	150	230	120
VFTP180160	180	160	240	120
VFTP180180	180	180	310	120
VFTP20080	200	80	160	130
VFTP200100	200	100	180	130
VFTP200125	200	125	205	130

Code	Φ D ₁ mm	Φ D ₃ mm	L ₁ mm	L ₃ mm
VFTP200150	200	150	230	130
VFTP200160	200	160	240	130
VFTP200180	200	180	310	130
VFTP200200	200	200	330	130
VFTP22080	220	80	160	140
VFTP220100	220	100	180	140
VFTP220125	220	125	205	140
VFTP220150	220	150	230	140
VFTP220160	220	160	240	140
VFTP220200	220	200	330	140
VFTP220220	220	220	350	140
VFTP25080	250	80	160	155

*If you didn't find the size you want, please contact us. Size range: 80-1700mm

DUCT FITTINGS

STAMPED



TEE WITH SADDLE

λ Description

The Tee with Saddle is pressed or stamped in type T . It contains rubber rings to reach sealing effect. It is used in ventilation system to distribute the air in the duct.

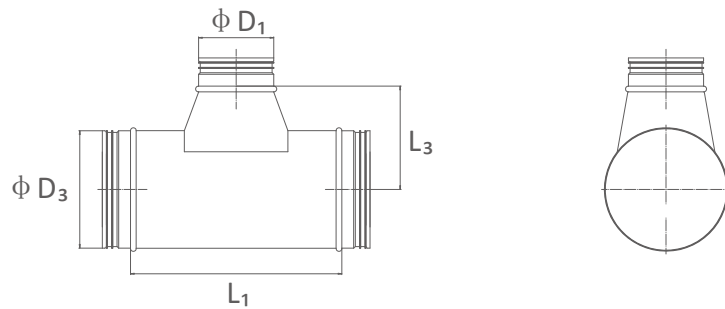
λ Application

Apply to ventilation system of malls, hotels, hospitals and other areas.

λ Drawing

NO.: MDVFTS80125
DATE:2017-10-4

Material: Galvanized Steel



λ Specification

Range: 80 ————— 1700

Code	Φ D ₁ mm	Φ D ₃ mm	L ₁ mm	L ₃ mm
VFTS80125	80	125	225	110
VFTS100125	100	125	225	120
VFTS100160	100	160	290	120
VFTS125125	125	125	225	133
VFTS125160	125	160	290	133
VFTS125200	125	200	330	133
VFTS15080	150	80	180	145
VFTS150160	150	160	290	145
VFTS150200	150	200	330	145
VFTS150250	150	250	380	145
VFTS16080	160	80	180	150
VFTS160125	160	125	225	150

Code	Φ D ₁ mm	Φ D ₃ mm	L ₁ mm	L ₃ mm
VFTS160160	160	160	290	150
VFTS160200	160	200	330	150
VFTS160250	160	250	380	150
VFTS18080	180	80	180	160
VFTS180125	180	125	225	160
VFTS180160	180	160	290	160
VFTS180200	180	200	330	160
VFTS180250	180	250	380	160
VFTS180280	180	280	450	160
VFTS20080	200	80	180	170
VFTS200125	200	125	225	170
VFTS200160	200	160	290	170

Code	Φ D ₁ mm	Φ D ₃ mm	L ₁ mm	L ₃ mm
VFTS200200	200	200	330	170
VFTS200250	200	250	380	130
VFTS200280	200	280	450	170
VFTS200315	200	315	485	170
VFTS22080	220	80	180	180
VFTS220125	220	125	225	180
VFTS220160	220	160	290	180
VFTS220200	220	200	330	180
VFTS220250	220	250	380	180
VFTS220315	220	315	485	180
VFTS220355	220	355	525	180
VFTS250100	250	100	200	195

*If you didn't find the size you want, please contact us. Size range: 80-1700mm



DUCT FITTINGS

STAMPED



λ Description

The Tee with Eccentric Saddle is pressed or stamped. It contains rubber rings to reach sealing effect. It is used in ventilation system to distribute the air in the duct.

λ Application

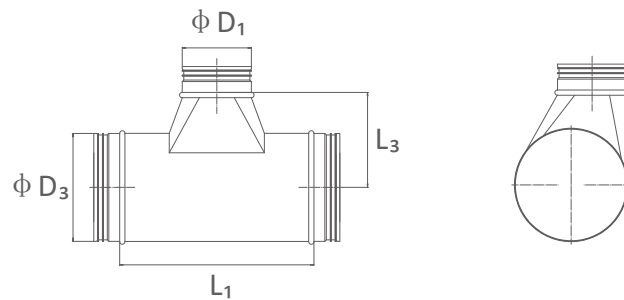
Apply to ventilation system of malls, hotels, hospitals and other areas.

TEE WITH ECCENTRIC SADDLE

λ Drawing

NO.: MDVFTE80125
DATE:2017-10-4

Material: Galvanized Steel



λ Specification

Range: 80 ————— 1700

Code	Φ D ₁ mm	Φ D ₃ mm	L ₁ mm	L ₃ mm
VFTE80125	80	125	225	110
VFTE100125	100	125	180	120
VFTE100160	100	160	290	120
VFTE12580	125	80	180	133
VFTE125125	125	125	225	133
VFTE125200	125	200	330	133
VFTE15080	150	80	180	145
VFTE150160	150	160	290	145
VFTE150200	150	200	330	145
VFTE150250	150	250	380	145
VFTE16080	160	80	180	150
VFTE160125	160	125	225	150

Code	Φ D ₁ mm	Φ D ₃ mm	L ₁ mm	L ₃ mm
VFTE160160	160	160	290	150
VFTE160200	160	200	330	150
VFTE160250	160	250	380	150
VFTE18080	180	80	180	160
VFTE180125	180	125	225	160
VFTE180160	180	160	290	160
VFTE180200	180	200	330	160
VFTE180250	180	250	380	160
VFTE180280	180	280	450	160
VFTE20080	200	80	180	170
VFTE200100	200	100	200	170
VFTE200125	200	125	225	170

Code	Φ D ₁ mm	Φ D ₃ mm	L ₁ mm	L ₃ mm
VFTE200160	200	160	290	170
VFTE200200	200	200	330	130
VFTE200250	200	250	380	170
VFTE200315	200	315	485	170
VFTE22080	220	80	180	180
VFTE220125	220	125	225	180
VFTE220160	220	160	290	180
VFTE220200	220	200	330	180
VFTE220250	220	250	380	180
VFTE220315	220	315	485	180
VFTE220355	220	355	525	180
VFTE25080	250	80	180	195

*If you didn't find the size you want, please contact us. Size range: 80-1700mm



DUCT FITTINGS

STAMPED



λ Description

The Tee with Boot Saddle is pressed or stamped. It contains rubber rings to reach sealing effect. It is used in ventilation system to distribute the air in the duct.

λ Application

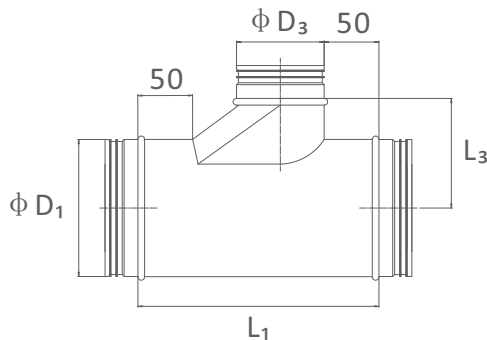
Apply to ventilation system of malls, hotels, hospitals and other areas.

TEE WITH BOOT SADDLE

λ Drawing

NO.: MDVFTB12580
DATE:2017-10-4

Material: Galvanized Steel



λ Specification

Range:
80
1700

Code	Φ D ₁ mm	Φ D ₃ mm	L ₁ mm	L ₃ mm
VFTB8080	80	80	220	80
VFTB10080	100	80	220	90
VFTB100100	100	100	250	100
VFTB12580	125	80	220	100
VFTB125100	125	100	250	110
VFTB125125	125	125	290	125
VFTB15080	150	80	220	115
VFTB150100	150	100	250	125
VFTB150125	150	125	290	140
VFTB150150	150	150	325	150
VFTB16080	160	80	220	120
VFTB160100	160	100	250	130

Code	Φ D ₁ mm	Φ D ₃ mm	L ₁ mm	L ₃ mm
VFTB160125	160	125	290	140
VFTB160150	160	150	325	155
VFTB160160	160	160	340	160
VFTB18080	180	80	220	130
VFTB180100	180	100	250	140
VFTB180125	180	125	290	150
VFTB180150	180	150	325	165
VFTB180160	180	160	340	170
VFTB180180	180	180	370	180
VFTB20080	200	80	220	140
VFTB200100	200	100	250	150
VFTB200125	200	125	290	160

Code	Φ D ₁ mm	Φ D ₃ mm	L ₁ mm	L ₃ mm
VFTB200150	200	150	325	175
VFTB200160	200	160	340	180
VFTB200180	200	180	370	190
VFTB200200	200	200	400	200
VFTB22080	220	80	430	220
VFTB220100	220	100	220	175
VFTB220125	220	125	250	185
VFTB220150	220	150	290	205
VFTB220160	220	160	325	215
VFTB220200	220	200	340	225
VFTB220220	220	220	400	235
VFTB25080	250	80	475	250

*If you didn't find the size you want, please contact us. Size range: 80-1700mm



DUCT FITTINGS

STAMPED



TEE WITH 45° ANGLE

λ Description

The Tee with 45 degree oblique angle is pressed or stamped. It contains rubber rings to reach sealing effect. It is used in ventilation system to distribute the air in the duct.

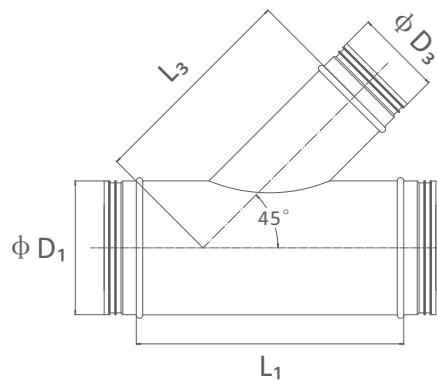
λ Application

Apply to ventilation system of malls, hotels, hospitals and other areas.

λ Drawing

NO.: MDVF3T12580
DATE:2017-10-4

Material: Galvanized Steel
Angle: 45° or customized



λ Specification

Code	Φ D ₁ mm	Φ D ₃ mm	L ₁ mm	L ₃ mm
VF3T8080	80	80	250	165
VF3T10080	100	80	250	180
VF3T100100	100	100	280	190
VF3T12580	125	80	250	200
VF3T125100	125	100	280	210
VF3T125125	125	125	315	220
VF3T15080	150	80	280	215
VF3T150100	150	100	305	225
VF3T150125	150	125	340	240
VF3T150150	150	150	380	265
VF3T16080	160	80	280	220
VF3T160100	160	100	305	230

Code	Φ D ₁ mm	Φ D ₃ mm	L ₁ mm	L ₃ mm
VF3T160125	160	125	340	245
VF3T160150	160	150	380	270
VF3T160160	160	160	390	275
VF3T18080	180	80	280	235
VF3T180100	180	100	305	245
VF3T180125	180	125	340	260
VF3T180150	180	150	380	285
VF3T180160	180	160	390	290
VF3T180180	180	180	420	300
VF3T20080	200	80	280	250
VF3T200100	200	100	305	260
VF3T200125	200	125	340	270

Range:
80
1700

Code	Φ D ₁ mm	Φ D ₃ mm	L ₁ mm	L ₃ mm
VF3T200150	200	150	380	300
VF3T200160	200	160	390	305
VF3T200180	200	180	420	315
VF3T200200	200	200	450	325
VF3T220100	220	100	305	275
VF3T220125	220	125	340	290
VF3T220150	220	150	380	315
VF3T220160	220	160	390	320
VF3T220180	220	180	420	330
VF3T220200	220	200	450	340
VF3T220220	220	220	480	350
VF3T250100	250	100	305	295

*If you didn't find the size you want, please contact us. Size range: 80-1700mm

DUCT FITTINGS

STAMPED



Y TYPE

Description

The Y type fitting is pressed or stamped in the shape Y. It contains rubber rings to reach sealing effect. It is used in ventilation system to distribute the air in the duct.

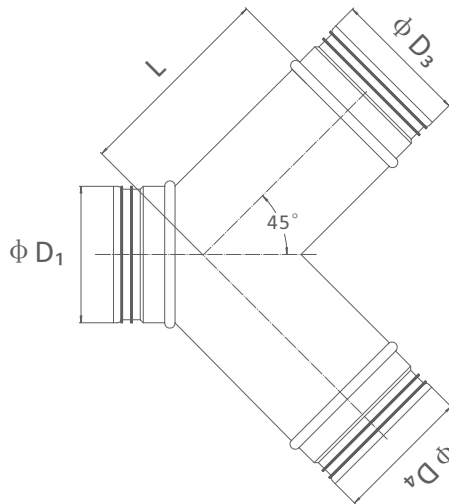
Application

Apply to ventilation system of malls, hotels, hospitals and other areas.

Drawing

NO.: MDVFTY8080
DATE:2017-10-4

Material: Galvanized Steel
 $\phi D_3 = \phi D_4$
Angle: 45° or customized



Specification

Range: 80 ————— 1700

Code	ϕD_1 mm	ϕD_3 mm	ϕD_4 mm	L mm
VFTY8080	80	80	80	120
VFTY10080	100	80	80	140
VFTY100100	100	100	100	140
VFTY12580	125	80	80	170
VFTY125100	125	100	100	170
VFTY125125	125	125	125	170
VFTY15080	150	80	80	190
VFTY150100	150	100	100	190
VFTY150125	150	125	125	190
VFTY150150	150	150	150	190
VFTY160100	160	100	100	205
VFTY160125	160	125	125	205

Code	ϕD_1 mm	ϕD_3 mm	ϕD_4 mm	L mm
VFTY160150	160	150	150	205
VFTY160160	160	160	160	205
VFTY180100	180	100	100	215
VFTY180125	180	125	125	215
VFTY180150	180	150	150	215
VFTY180160	180	160	160	215
VFTY180180	180	180	180	215
VFTY200125	200	125	125	230
VFTY200150	200	150	150	230
VFTY200160	200	160	160	230
VFTY200180	200	180	180	230
VFTY200200	200	200	200	230

Code	ϕD_1 mm	ϕD_3 mm	ϕD_4 mm	L mm
VFTY220150	200	150	150	250
VFTY220160	200	160	160	250
VFTY220180	200	180	180	250
VFTY220200	200	200	200	250
VFTY220220	220	220	220	250
VFTY250160	250	160	160	280
VFTY250180	250	180	180	280
VFTY250200	250	200	200	280
VFTY250220	250	220	220	280
VFTY250250	250	250	250	280
VFTY280180	280	180	180	310
VFTY280200	280	200	200	310

*If you didn't find the size you want, please contact us. Size range: 80-1700mm

DUCT FITTINGS

STAMPED



4 WAY CROSS

λ Description

The 4 way cross is pressed or stamped. It contains rubber rings to reach sealing effect. It is used in ventilation system to distribute the air in the duct.

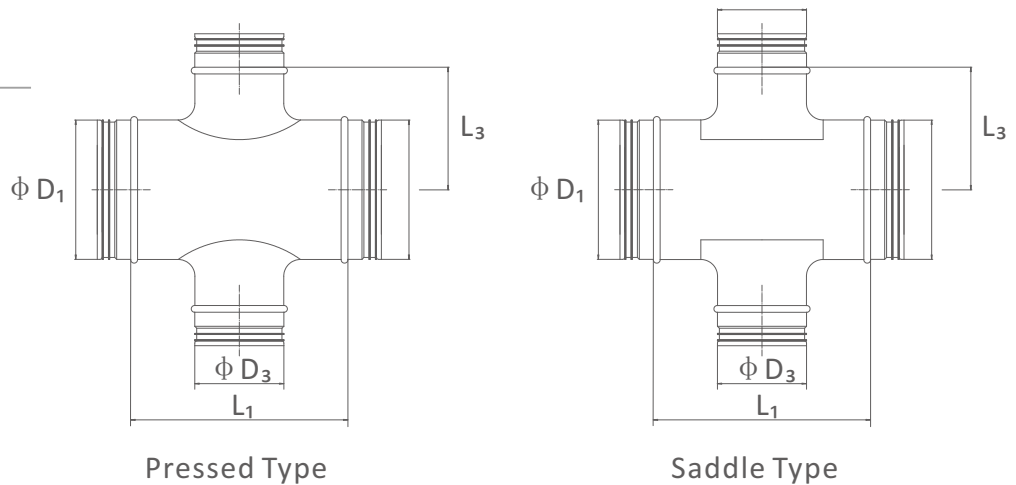
λ Application

Apply to ventilation system of malls, hotels, hospitals and other areas.

λ Drawing

NO.: MDVFXP12580
DATE:2017-10-4

Material: Galvanized Steel



λ Specification

Range: 80 ————— 1700

Code	Φ D ₁ mm	Φ D ₃ mm	L ₁ mm	L ₃ mm
VFXP10080	100	80	195	95
VFXP12580	125	80	195	110
VFXP125100	125	100	215	110
VFXP15080	150	80	195	120
VFXP150100	150	100	215	120
VFXP150125	150	125	240	120
VFXP16080	160	80	195	125
VFXP160100	160	100	215	125
VFXP160125	160	125	240	125
VFXP160150	160	150	270	130
VFXP18080	180	80	195	135
VFXP180100	180	100	215	135

Code	Φ D ₁ mm	Φ D ₃ mm	L ₁ mm	L ₃ mm
VFXP180125	180	125	240	135
VFXP180150	180	150	270	140
VFXP180160	180	160	280	140
VFXP20080	200	80	195	145
VFXP200100	200	100	215	145
VFXP200125	200	125	240	145
VFXP200150	200	150	270	150
VFXP200160	200	160	280	150
VFXP200180	200	180	300	150
VFXP22080	220	80	195	160
VFXP220100	220	100	215	160
VFXP220125	220	125	240	160

Code	Φ D ₁ mm	Φ D ₃ mm	L ₁ mm	L ₃ mm
VFXP220150	220	150	270	165
VFXP220160	220	160	280	165
VFXP220200	220	200	335	180
VFXP25080	250	80	195	170
VFXP250100	250	100	215	170
VFXP250125	250	125	240	170
VFXP250150	250	150	270	175
VFXP250160	250	160	280	175
VFXP250200	250	200	335	190
VFXP28080	280	80	195	185
VFXP280100	280	100	215	185
VFXP280125	280	150	240	185

*If you didn't find the size you want, please contact us. Size range: 80-1700mm

DUCT FITTINGS

STAMPED



ECCENTRIC 4 WAY CROSS

λ Description

The Eccentric 4 way cross is pressed, eccentric directions. It contains rubber rings to reach sealing effect. It is used in ventilation system to distribute the air in the duct.

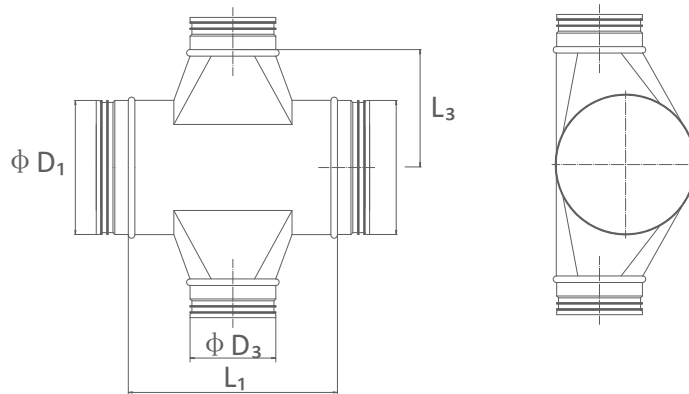
λ Application

Apply to ventilation system of malls, hotels, hospitals and other areas.

λ Drawing

NO.: MDVFXE12580
DATE:2017-10-4

Material: Galvanized Steel



λ Specification

Code	ϕD_1 mm	ϕD_3 mm	L_1 mm	L_3 mm
VFXE10080	100	80	195	95
VFXE12580	125	80	195	110
VFXE125100	125	100	215	110
VFXE15080	150	80	195	120
VFXE150100	150	100	215	120
VFXE150125	150	125	240	120
VFXE16080	160	80	195	125
VFXE160100	160	100	215	125
VFXE160125	160	125	240	125
VFXE160150	160	150	270	130
VFXE18080	180	80	195	135
VFXE180100	180	100	215	135

Code	ϕD_1 mm	ϕD_3 mm	L_1 mm	L_3 mm
VFXE180125	180	125	240	135
VFXE180150	180	150	270	140
VFXE180160	180	160	280	140
VFXE20080	200	80	195	145
VFXE200100	200	100	215	145
VFXE200125	200	125	240	145
VFXE200150	200	150	270	150
VFXE200160	200	160	280	150
VFXE200180	200	180	300	150
VFXE22080	220	80	195	160
VFXE220100	220	100	215	160
VFXE220125	220	125	240	160

Range:
80
1700

Code	ϕD_1 mm	ϕD_3 mm	L_1 mm	L_3 mm
VFXE220150	220	150	270	165
VFXE220160	220	160	280	165
VFXE220200	220	200	335	180
VFXE25080	250	80	195	170
VFXE250100	250	100	215	170
VFXE250125	250	125	240	170
VFXE250150	250	150	270	175
VFXE250160	250	160	280	175
VFXE250200	250	200	335	190
VFXE28080	280	80	195	185
VFXE280100	280	100	215	185
VFXE280125	280	150	240	185

*If you didn't find the size you want, please contact us. Size range: 80-1700mm



DUCT FITTINGS

STAMPED



λ Description

The 4 way cross with boot saddle is pressed with a boot-like saddle. It contains rubber rings to reach sealing effect. It is used in ventilation system to distribute the air in the duct.

λ Application

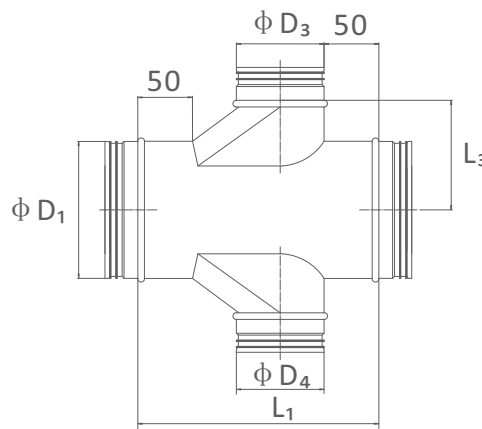
Apply to ventilation system of malls, hotels, hospitals and other areas.

CROSS WITH BOOT SADDLE

λ Drawing

NO.: MDVFXB12580
DATE:2017-10-4

Material: Galvanized Steel
 $\phi D_3 = \phi D_4$



λ Specification

Range: 80 ————— 1700

Code	ϕD_1 mm	ϕD_3 mm	L_1 mm	L_3 mm
VFXB8080	80	80	220	80
VFXB10080	100	80	220	80
VFXB100100	100	100	250	100
VFXB12580	125	80	220	100
VFXB125100	125	100	250	110
VFXB125125	125	125	290	125
VFXB15080	150	80	220	115
VFXB150100	150	100	250	125
VFXB150125	150	125	290	140
VFXB150150	150	150	325	150
VFXB16080	160	80	220	120
VFXB160100	160	100	250	130

Code	ϕD_1 mm	ϕD_3 mm	L_1 mm	L_3 mm
VFXB160125	160	125	290	140
VFXB160150	160	150	325	155
VFXB160160	160	160	340	160
VFXB18080	180	80	220	130
VFXB180100	180	100	250	140
VFXB180125	180	125	290	150
VFXB180150	180	150	325	165
VFXB180160	180	160	340	170
VFXB180180	180	180	370	180
VFXB20080	200	80	220	140
VFXB200100	200	100	250	150
VFXB200125	200	125	290	160

Code	ϕD_1 mm	ϕD_3 mm	L_1 mm	L_3 mm
VFXB200150	200	150	325	175
VFXB200160	200	160	340	180
VFXB200180	200	180	370	190
VFXB200200	200	200	400	200
VFXB22080	220	80	220	160
VFXB220100	220	100	250	170
VFXB220125	220	125	290	185
VFXB220150	220	150	325	190
VFXB220160	220	160	340	200
VFXB220200	220	220	400	210
VFXB220220	220	220	430	220
VFXB25080	280	80	220	175

*If you didn't find the size you want, please contact us. Size range: 80-1700mm



DUCT FITTINGS

STAMPED



45° CROSS

Description

The 4 way cross with 45 degree angle is pressed. It contains rubber rings to reach sealing effect. It is used in ventilation system to distribute the air in the duct.

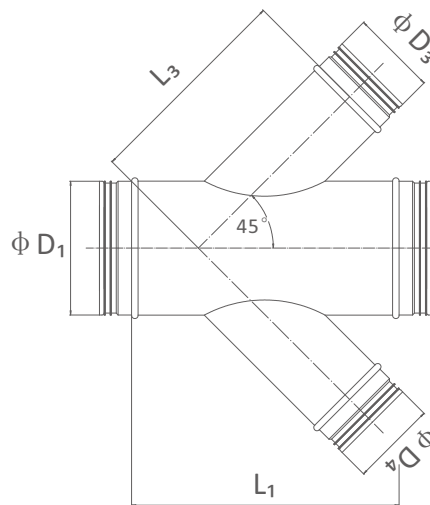
Application

Apply to ventilation system of malls, hotels, hospitals and other areas.

Drawing

NO.: MDVF3X12580
DATE:2017-10-5

Material: Galvanized Steel
 $\phi D_3 = \phi D_4$
Angle: 45° or customized



Specification

Range: 80 ————— 1700

Code	ϕD_1 mm	ϕD_3 mm	L_1 mm	L_3 mm
VF3X8080	80	80	250	265
VF3X10080	100	80	250	180
VF3X100100	100	100	280	190
VF3X12580	125	80	250	200
VF3X125100	125	100	280	210
VF3X125125	125	125	315	220
VF3X15080	150	80	280	215
VF3X150100	150	100	305	225
VF3X150125	150	125	340	240
VF3X150150	150	150	380	265
VF3X16080	160	80	280	220
VF3X160100	160	100	305	230

Code	ϕD_1 mm	ϕD_3 mm	L_1 mm	L_3 mm
VF3X160125	160	125	340	245
VF3X160150	160	150	380	270
VF3X160160	160	160	390	275
VF3X18080	180	80	280	235
VF3X180100	180	100	305	245
VF3X180125	180	125	340	260
VF3X180150	180	150	380	285
VF3X180160	180	160	390	290
VF3X180180	180	180	420	300
VF3X20080	200	80	280	250
VF3X200100	200	100	305	260
VF3X200125	200	125	340	270

Code	ϕD_1 mm	ϕD_3 mm	L_1 mm	L_3 mm
VF3X200150	200	150	380	300
VF3X200160	200	160	390	305
VF3X200180	200	180	420	315
VF3X200200	200	200	450	325
VF3X220100	220	100	305	275
VF3X220125	220	125	340	290
VF3X220150	220	150	380	315
VF3X220160	220	160	390	320
VF3X220180	220	180	420	330
VF3X220200	220	200	450	340
VF3X220220	220	220	480	350
VF3X250100	250	100	305	295

*If you didn't find the size you want, please contact us. Size range: 80-1700mm



DUCT FITTINGS

STAMPED



PRESSED SADDLE

λ Description

The Pressed Saddle is pressed, can fit different dimensions of pipes. It is used in ventilation system to distribute the air in the duct.

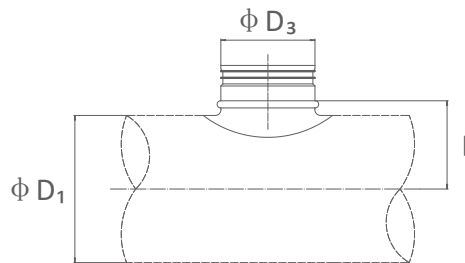
λ Application

Apply to ventilation system of malls, hotels, hospitals and other areas.

λ Drawing

NO.: MDVFSP12580
DATE:2017-10-5

Material: Galvanized Steel



λ Specification

Range: 80 ————— 630

Code	Φ D ₁ mm	Φ D ₃ mm	Lmm
VFSP8080	80	80	52
VFSP10080	100	80	60
VFSP100100	100	100	65
VFSP12580	125	80	75
VFSP125100	125	100	78
VFSP125125	125	125	83
VFSP15080	150	80	87
VFSP150100	150	100	90
VFSP150125	150	125	95
VFSP150150	150	150	95
VFSP16080	160	80	92
VFSP160100	160	100	95

Code	Φ D ₁ mm	Φ D ₃ mm	Lmm
VFSP160125	160	125	100
VFSP160150	160	150	100
VFSP160160	160	160	105
VFSP18080	180	80	102
VFSP180100	180	100	105
VFSP180125	180	125	110
VFSP180150	180	150	110
VFSP180160	180	160	115
VFSP180180	180	180	115
VFSP20080	200	80	120
VFSP200100	200	100	125
VFSP200125	200	125	125

Code	Φ D ₁ mm	Φ D ₃ mm	Lmm
VFSP200150	200	150	125
VFSP200160	200	160	124
VFSP200180	200	180	127
VFSP200200	200	200	132
VFSP22080	220	80	132
VFSP220100	220	100	137
VFSP220125	220	125	137
VFSP220150	220	150	137
VFSP220160	220	160	137
VFSP220200	220	200	140
VFSP220220	220	220	145
VFSP25080	250	80	145

*If you didn't find the size you want, please contact us. Size range: 80-1700mm

DUCT FITTINGS

STAMPED



45° PRESSED SADDLE

λ Description

The 45 Degree Pressed Saddle can fit different dimensions of pipes. The angle can be customized. It contains rubber rings to reach sealing effect. It is used in ventilation system to distribute the air in the duct.

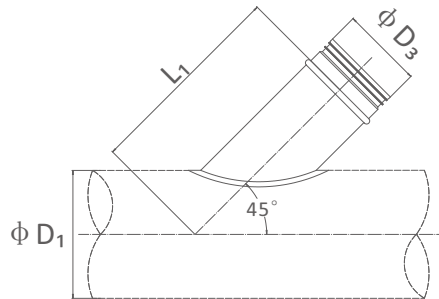
λ Application

Apply to ventilation system of malls, hotels, hospitals and other areas.

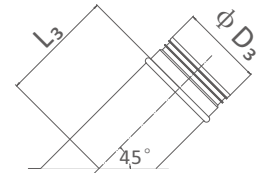
λ Drawing

NO.: MDVF3S12580
DATE:2017-10-5

Material: Galvanized Steel
Angle: 45° or customized



Pressed Type



Flat Type

λ Specification

Range: 80 ————— 1700

Code	φ D ₁ mm	φ D ₃ mm	L ₁ mm
VF3S8080	80	80	165
VF3S10080	100	80	180
VF3S100100	100	100	190
VF3S12580	125	80	200
VF3S125100	125	100	210
VF3S125125	125	125	220
VF3S15080	150	80	215
VF3S150100	150	100	225
VF3S150125	150	125	240
VF3S150150	150	150	265
VF3S16080	160	80	220
VF3S160100	160	100	230

Code	φ D ₁ mm	φ D ₃ mm	L ₁ mm
VF3S160125	160	125	245
VF3S160150	160	150	270
VF3S160160	160	160	275
VF3S18080	180	80	235
VF3S180100	180	100	245
VF3S180125	180	125	260
VF3S180150	180	150	285
VF3S180160	180	160	290
VF3S180180	180	180	300
VF3S20080	200	80	250
VF3S200100	200	100	260
VF3S200125	200	125	270

Code	φ D ₁ mm	φ D ₃ mm	L ₁ mm
VF3S200150	200	150	300
VF3S200160	200	160	305
VF3S200180	200	180	315
VF3S200200	200	200	325
VF3S220100	220	100	275
VF3S220125	220	125	290
VF3S220150	220	150	315
VF3S220160	220	160	320
VF3S220180	220	180	330
VF3S220200	220	200	340
VF3S220220	220	220	350
VF3S250100	250	100	295

*If you didn't find the size you want, please contact us. Size range: 80-1700mm

DUCT FITTINGS

STAMPED



BOOT SADDLE

λ Description

The Boot Saddle can fit different dimensions of pipes. It contains rubber rings to reach sealing effect. It is used in ventilation system to distribute the air in the duct.

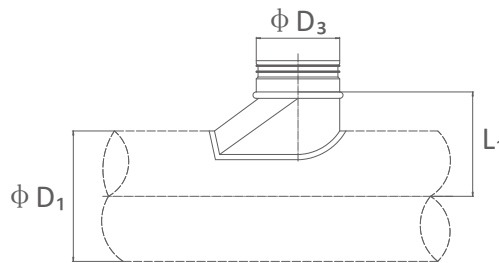
λ Application

Apply to ventilation system of malls, hotels, hospitals and other areas.

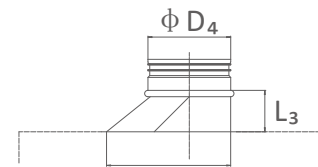
λ Drawing

NO.: MDVFSB12580
DATE:2017-10-5

Material: Galvanized Steel



Normal Type



Flat Type

λ Specification

Range: 80 ————— 1700

Code	Φ D ₁ mm	Φ D ₃ mm	L ₁ mm
VFSB8080	80	80	80
VFSB10080	100	80	90
VFSB100100	100	100	100
VFSB12580	125	80	100
VFSB125100	125	100	110
VFSB125125	125	125	125
VFSB15080	150	80	115
VFSB150100	150	100	125
VFSB150125	150	125	140
VFSB150150	150	150	150
VFSB16080	160	80	120
VFSB160100	160	100	130

Code	Φ D ₁ mm	Φ D ₃ mm	L ₁ mm
VFSB160125	160	125	140
VFSB160150	160	150	155
VFSB160160	160	160	160
VFSB18080	180	80	130
VFSB180100	180	100	140
VFSB180125	180	125	150
VFSB180150	180	150	165
VFSB180160	180	160	170
VFSB180180	180	180	180
VFSB20080	200	80	140
VFSB200100	200	100	150
VFSB200125	200	125	160

Code	Φ D ₁ mm	Φ D ₃ mm	L ₁ mm
VFSB200150	200	150	175
VFSB200160	200	160	180
VFSB200180	200	180	190
VFSB200200	200	200	200
VFSB220100	220	100	160
VFSB220125	220	125	170
VFSB220150	220	150	185
VFSB220160	220	160	190
VFSB220180	220	180	200
VFSB220200	220	200	210
VFSB220220	220	220	220
VFSB250100	250	100	175

*If you didn't find the size you want, please contact us. Size range: 80-1700mm

DUCT FITTINGS

STAMPED



SADDLE JOINT

λ Description

The Saddle Joint is pressed, can fit different dimensions of pipes. It contains rubber rings to reach sealing effect. It is used in ventilation system to distribute the air in the duct.

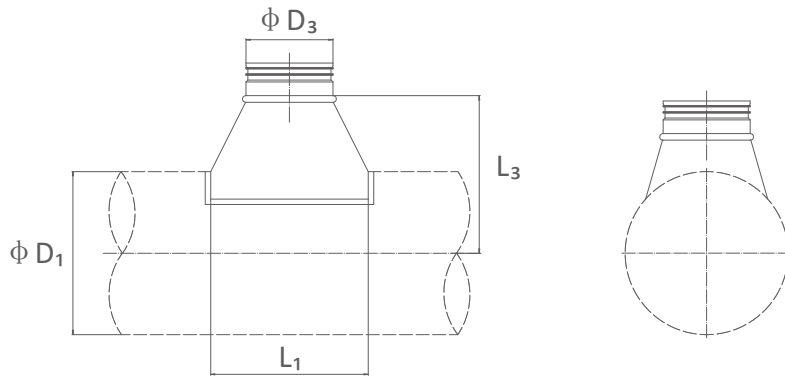
λ Application

Apply to ventilation system of malls, hotels, hospitals and other areas.

λ Drawing

NO.: MDVFSJ12580
DATE:2017-10-5

Material: Galvanized Steel



λ Specification

Range:
80
1700

Code	Φ D ₁ mm	Φ D ₃ mm	L ₁ mm	L ₃ mm
VFSJ80125	80	125	190	110
VFSJ100125	100	125	190	120
VFSJ100160	100	160	230	120
VFSJ125125	125	125	190	133
VFSJ125160	125	160	230	133
VFSJ125200	125	200	285	133
VFSJ15080	150	80	145	145
VFSJ150160	150	160	230	145
VFSJ150200	150	200	285	145
VFSJ150250	150	250	335	145
VFSJ16080	160	80	145	150
VFSJ160125	160	125	190	150

Code	Φ D ₁ mm	Φ D ₃ mm	L ₁ mm	L ₃ mm
VFSJ160160	160	125	230	150
VFSJ160200	160	150	285	150
VFSJ160250	160	160	335	150
VFSJ18080	180	80	145	160
VFSJ180125	180	125	190	160
VFSJ180160	180	160	230	160
VFSJ180200	180	200	285	160
VFSJ180250	180	250	335	160
VFSJ180280	180	280	375	160
VFSJ20080	200	80	145	170
VFSJ200125	200	125	190	170
VFSJ200160	200	160	230	170

Code	Φ D ₁ mm	Φ D ₃ mm	L ₁ mm	L ₃ mm
VFSJ200200	200	200	285	170
VFSJ200250	200	250	335	170
VFSJ200280	200	280	375	170
VFSJ200315	200	315	410	170
VFSJ22080	220	80	145	180
VFSJ220125	220	125	190	180
VFSJ220160	220	160	230	180
VFSJ220200	220	200	285	180
VFSJ220250	220	250	335	180
VFSJ220315	220	315	410	180
VFSJ220355	220	355	460	180
VFSJ250100	250	100	165	195

*If you didn't find the size you want, please contact us. Size range: 80-1700mm



DUCT FITTINGS

STAMPED



ECCENTRIC SADDLE

λ Description

The Eccentric Saddle is pressed, can fit different dimensions of pipes. It contains rubber rings to reach sealing effect. It is used in ventilation system to distribute the air in the duct.

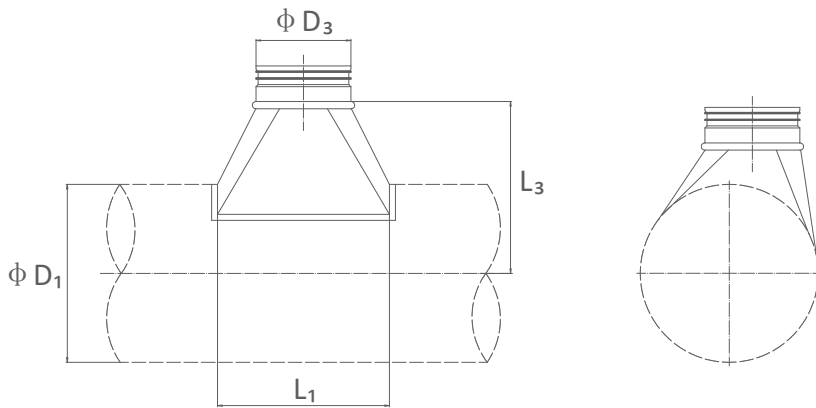
λ Application

Apply to ventilation system of malls, hotels, hospitals and other areas.

λ Drawing

NO.: MDVFSE12580
DATE:2017-10-5

Material: Galvanized Steel



λ Specification

Range: 80 ————— 1700

Code	ΦD_1 mm	ΦD_3 mm	L_1 mm	L_3 mm
VFSE80125	80	125	190	110
VFSE100125	100	125	190	120
VFSE100160	100	160	230	120
VFSE125125	125	125	190	133
VFSE125160	125	160	230	133
VFSE125200	125	200	285	133
VFSE15080	150	80	145	145
VFSE150160	150	160	230	145
VFSE150200	150	200	285	145
VFSE150250	150	250	335	145
VFSE16080	160	80	145	150
VFSE160125	160	125	190	150

Code	ΦD_1 mm	ΦD_3 mm	L_1 mm	L_3 mm
VFSE160160	160	125	230	150
VFSE160200	160	150	285	150
VFSE160250	160	160	335	150
VFSE18080	180	80	145	160
VFSE180125	180	125	190	160
VFSE180160	180	160	230	160
VFSE180200	180	200	285	160
VFSE180250	180	250	335	160
VFSE180280	180	280	375	160
VFSE20080	200	80	145	170
VFSE200125	200	125	190	170
VFSE200160	200	160	230	170

Code	ΦD_1 mm	ΦD_3 mm	L_1 mm	L_3 mm
VFSE200200	200	200	285	170
VFSE200250	200	250	335	170
VFSE200280	200	280	375	170
VFSE200315	200	315	410	170
VFSE22080	220	80	145	180
VFSE220125	220	125	190	180
VFSE220160	220	160	230	180
VFSE220200	220	200	285	180
VFSE220250	220	250	335	180
VFSE220315	220	315	410	180
VFSE220355	220	355	460	180
VFSE250100	250	100	165	195

*If you didn't find the size you want, please contact us. Size range: 80-1700mm

DUCT FITTINGS

Lockseamed



λ Description

The Connect for side pipe is used on the side of the wind pipe. Usually used in the square wind pipe. It contains rubber rings to reach sealing effect.

λ Application

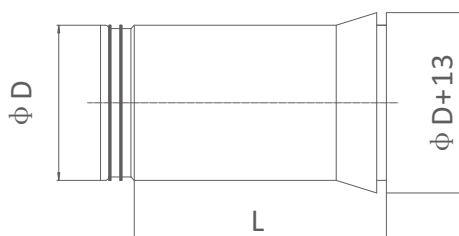
Apply to square wind pipe in ventilation system of malls, hotels, hospitals and other areas.

CONNECTOR FOR SIDE PIPE

λ Drawing

NO.: MDVCQ80
DATE:2017-10-6

Material: Galvanized Steel



λ Specification

Range: 80 1700

Code	φ D mm	L mm	Code	φ D mm	L mm	Code	φ D mm	L mm	Code	φ D mm	L mm	Code	φ D mm	L mm
VFCQ80	80	130	VFCQ280	280	185	VFCQ480	480	185	VFCQ850	850	185	VFCQ1300	1300	235
VFCQ100	100	130	VFCQ300	300	185	VFCQ500	500	185	VFCQ900	900	185	VFCQ1350	1350	235
VFCQ125	125	130	VFCQ315	315	185	VFCQ550	550	185	VFCQ950	950	185	VFCQ1400	1400	235
VFCQ150	150	130	VFCQ350	350	185	VFCQ600	600	185	VFCQ1000	1000	185	VFCQ1450	1450	235
VFCQ160	160	130	VFCQ355	355	185	VFCQ630	630	185	VFCQ1050	1050	235	VFCQ1500	1500	235
VFCQ180	180	130	VFCQ380	380	185	VFCQ650	650	185	VFCQ1100	1100	235	VFCQ1550	1550	235
VFCQ200	200	130	VFCQ400	400	185	VFCQ700	700	185	VFCQ1150	1150	235	VFCQ1600	1600	235
VFCQ220	220	130	VFCQ420	420	185	VFCQ750	750	185	VFCQ1200	1200	235	VFCQ1650	1650	235
VFCQ250	250	185	VFCQ450	450	185	VFCQ800	800	185	VFCQ1250	1250	235	VFCQ1700	1700	235

DUCT FITTINGS

STAMPED



MALE REDUCER

λ Description

The Male Reducer can connect the two dimensions pipes as a male conector. The rubber rings reach sealing effect. It is used in ventilation system to distribute the air.

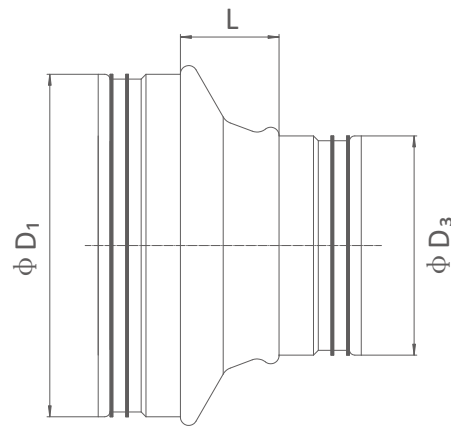
λ Application

Apply to ventilation system of malls, hotels, hospitals and other areas.

λ Drawing

NO.: MDVFRM12580
DATE:2017-10-6

Material: Galvanized Steel



λ Specification

Range: 80 ————— 630

Code	φ D ₁ mm	φ D ₃ mm	Lmm
VFRM10080	100	80	26
VFRM12580	125	80	36
VFRM125100	125	100	27
VFRM150100	150	100	36
VFRM150125	150	125	31
VFRM16080	160	80	55
VFRM160100	160	100	46
VFRM160125	160	125	35
VFRM160150	160	150	22
VFRM180100	180	100	55
VFRM180125	180	125	40
VFRM180150	180	150	27

Code	φ D ₁ mm	φ D ₃ mm	Lmm
VFRM180160	180	160	20
VFRM200100	200	100	46
VFRM200125	200	125	55
VFRM200150	200	150	37
VFRM200160	200	160	39
VFRM200180	200	180	26
VFRM220150	220	150	48
VFRM220160	220	160	44
VFRM220200	220	200	24
VFRM250125	250	125	70
VFRM250150	250	150	62
VFRM250160	250	160	60

Code	φ D ₁ mm	φ D ₃ mm	Lmm
VFRM250200	250	200	42
VFRM300200	300	200	59
VFRM300250	300	250	34
VFRM315160	315	160	91
VFRM315200	315	200	74
VFRM315250	315	250	50
VFRM350250	350	250	69
VFRM350315	350	315	33
VFRM355250	355	250	69
VFRM355315	355	315	33
VFRM400200	400	200	118
VFRM400250	400	250	94

*If you didn't find the size you want, please contact us. Size range: 80-1700mm

DUCT FITTINGS

STAMPED



FEMALE REDUCER

λ Description

The Female Reducer can connect the two dimensions pipes as a male conector. The rubber rings reach sealing effect. It is used in ventilation system to distribute the air.

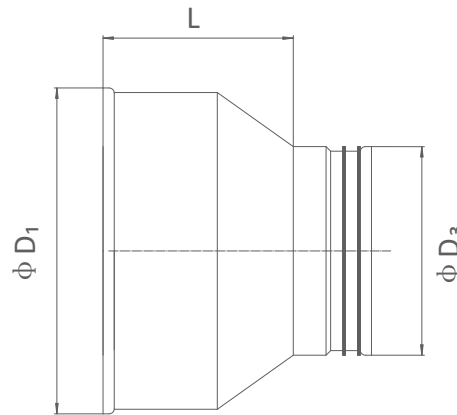
λ Application

Apply to ventilation system of malls, hotels, hospitals and other areas.

λ Drawing

NO.: MDVFRF12580
DATE:2017-10-6

Material: Galvanized Steel



λ Specification

Range: 80 ————— 630

Code	φ D ₁ mm	φ D ₃ mm	Lmm
VFRF10080	100	80	61
VFRF12580	125	80	73
VFRF125100	125	100	64
VFRF150100	150	100	78
VFRF150125	150	125	66
VFRF16080	160	80	92
VFRF160100	160	100	83
VFRF160125	160	125	71
VFRF160150	160	150	59
VFRF180100	180	100	98
VFRF180125	180	125	85
VFRF180150	180	150	68

Code	φ D ₁ mm	φ D ₃ mm	Lmm
VFRF180160	180	160	66
VFRF200100	200	100	84
VFRF200125	200	125	90
VFRF200150	200	150	75
VFRF200160	200	160	73
VFRF200180	200	180	63
VFRF220150	220	150	92
VFRF220160	220	160	87
VFRF220200	220	200	66
VFRF250125	250	125	133
VFRF250150	250	150	122
VFRF250160	250	160	117

Code	φ D ₁ mm	φ D ₃ mm	Lmm
VFRF250200	250	200	103
VFRF300200	300	200	119
VFRF300250	300	250	94
VFRF315160	315	160	153
VFRF315200	315	200	134
VFRF315250	315	250	108
VFRF350250	350	250	134
VFRF350315	350	315	97
VFRF355250	355	250	136
VFRF355315	355	315	97
VFRF400200	400	200	196
VFRF400250	400	250	174

*If you didn't find the size you want, please contact us. Size range: 80-1700mm

DUCT FITTINGS

STAMPED



λ Description

The Eccentric Male Reducer can connect the two dimensions pipes as a male connector. The rubber rings reach sealing effect. It is used in ventilation system to distribute the air.

λ Application

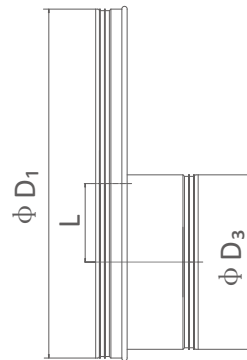
Apply to ventilation system of malls, hotels, hospitals and other areas.

ECENTRIC MALE REDUCER

λ Drawing

NO.: MDVFRME12580
DATE:2017-10-6

Material: Galvanized Steel



λ Specification

Range: 80 ————— 1250

Code	ϕ D ₁ mm	ϕ D ₃ mm	Lmm
VFRME400200	400	200	90
VFRME400250	400	250	65
VFRME400315	400	315	33
VFRME400355	400	355	13
VFRME450355	450	355	38
VFRME450400	450	400	15
VFRME500250	500	250	115
VFRME500315	500	315	83
VFRME500355	500	355	63
VFRME500400	500	400	40
VFRME550315	550	315	108
VFRME550355	550	355	88

Code	ϕ D ₁ mm	ϕ D ₃ mm	Lmm
VFRME550400	550	400	85
VFRME550500	550	500	15
VFRME600315	600	315	133
VFRME600355	600	355	113
VFRME600400	600	400	90
VFRME600500	600	500	40
VFRME630315	630	315	148
VFRME630355	630	355	128
VFRME630400	630	400	105
VFRME630500	630	500	55
VFRME700400	700	400	140
VFRME700500	700	500	90

Code	ϕ D ₁ mm	ϕ D ₃ mm	Lmm
VFRME700630	700	630	25
VFRME800400	800	400	190
VFRME800500	800	500	140
VFRME800630	800	630	75
VFRME900500	900	500	190
VFRME900630	900	630	125
VFRME900800	900	800	40
VFRME1000500	1000	500	240
VFRME1000630	1000	630	175
VFRME1000800	1000	800	90
VFRME1100630	1100	630	225
VFRME1100700	1100	700	190

*If you didn't find the size you want, please contact us. Size range: 80-1700mm

DUCT FITTINGS

STAMPED



λ Description

The Eccentric Female Reducer can connect the two pipes as a male connector. The rubber rings reach sealing effect. It is used in ventilation system to distribute the air.

λ Application

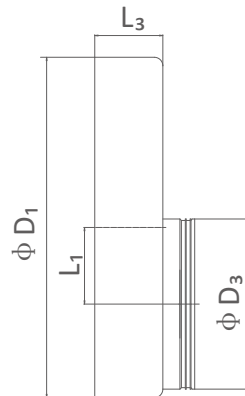
Apply to ventilation system of malls, hotels, hospitals and other areas.

ECENTRIC MALE REDUCER

λ Drawing

NO.: MDVFRFE12580
DATE:2017-10-6

Material: Galvanized Steel



λ Specification

Code	ϕ D ₁ mm	ϕ D ₃ mm	Lmm	L ₃ mm
VFRFE400200	400	200	90	80
VFRFE400250	400	250	65	80
VFRFE400315	400	315	33	80
VFRFE400355	400	355	13	80
VFRFE450355	450	355	38	80
VFRFE450400	450	400	15	80
VFRFE500250	500	250	115	80
VFRFE500315	500	315	83	80
VFRFE500355	500	355	63	80
VFRFE500400	500	400	40	80
VFRFE550315	550	315	108	80
VFRFE550355	550	355	88	80

Code	ϕ D ₁ mm	ϕ D ₃ mm	Lmm	L ₃ mm
VFRFE550400	550	400	85	80
VFRFE550500	550	500	15	80
VFRFE600315	600	315	133	80
VFRFE600355	600	355	113	80
VFRFE600400	600	400	90	80
VFRFE600500	600	500	40	80
VFRFE630315	630	315	148	80
VFRFE630355	630	355	128	80
VFRFE630400	630	400	105	80
VFRFE630500	630	500	55	80
VFRFE700400	700	400	140	100
VFRFE700500	700	500	90	100

Range: 80 ————— 1250

Code	ϕ D ₁ mm	ϕ D ₃ mm	Lmm	L ₃ mm
VFRFE700630	700	630	25	100
VFRFE800400	800	400	190	100
VFRFE800500	800	500	140	100
VFRFE800630	800	630	75	100
VFRFE900500	900	500	190	100
VFRFE900630	900	630	125	100
VFRFE900800	900	800	40	100
VFRFE1000500	1000	500	240	100
VFRFE1000630	1000	630	175	100
VFRFE1000800	1000	800	90	100
VFRFE1100630	1100	630	225	120
VFRFE1100700	1100	700	190	120

*If you didn't find the size you want, please contact us. Size range: 80-1700mm

DUCT FITTINGS

LOCKSEAMED



λ Description

The Male Reducer is lock-seamed, fit different dimensions of pipes. It is used in ventilation system to distribute the air in the duct.

λ Application

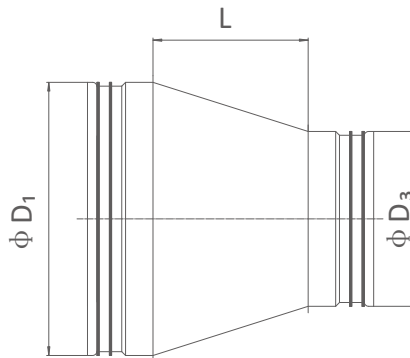
Apply to ventilation system of malls, hotels, hospitals and other areas.

LOCKSEAMED MALE REDUCER

λ Drawing

NO.: MDVFBM12580
DATE:2017-10-6

Material: Galvanized Steel



λ Specification

Range: 80 ————— 1700

Code	φ D ₁ mm	φ D ₃ mm	Lmm
VFBM10080	100	80	50
VFBM12580	125	80	71
VFBM125100	125	100	50
VFBM15080	150	80	111
VFBM150100	150	100	79
VFBM150125	150	125	50
VFBM16080	160	80	127
VFBM160100	160	100	95
VFBM160125	160	125	56
VFBM160150	160	150	50
VFBM18080	180	80	159
VFBM180100	180	100	127

Code	φ D ₁ mm	φ D ₃ mm	Lmm
VFBM180125	180	125	87
VFBM180150	180	150	50
VFBM180160	180	160	50
VFBM20080	200	80	190
VFBM200100	200	100	159
VFBM200125	200	125	119
VFBM200150	200	150	79
VFBM200160	200	160	64
VFBM200180	200	180	50
VFBM22080	220	80	222
VFBM220100	220	100	190
VFBM220125	220	125	151

Code	φ D ₁ mm	φ D ₃ mm	Lmm
VFBM220150	220	150	111
VFBM220160	220	160	95
VFBM220200	220	200	50
VFBM25080	250	80	270
VFBM250100	250	100	238
VFBM250125	250	125	198
VFBM250150	250	150	159
VFBM250160	250	160	143
VFBM250200	250	200	79
VFBM28080	280	80	317
VFBM280100	280	100	286
VFBM280125	280	125	246

*If you didn't find the size you want, please contact us. Size range: 80-1700mm



DUCT FITTINGS

LOCKSEAMED



λ Description

The Female Reducer is lock-seamed, fit different dimensions of pipes. It is used in ventilation system to distribute the air in the duct.

λ Application

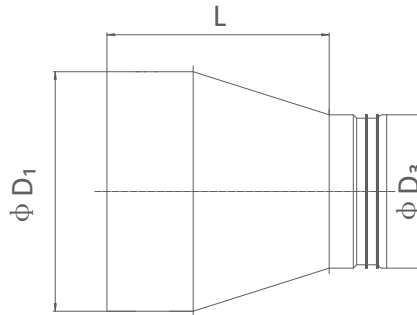
Apply to ventilation system of malls, hotels, hospitals and other areas.

LOCKSEAMED FEMALE REDUCER

λ Drawing

NO.: MDVFBF12580
DATE:2017-10-6

Material: Galvanized Steel



λ Specification

Range: 80 ————— 1700

Code	φ D ₁ mm	φ D ₃ mm	Lmm
VFBF10080	100	80	95
VFBF12580	125	80	116
VFBF125100	125	100	95
VFBF15080	150	80	156
VFBF150100	150	100	124
VFBF150125	150	125	95
VFBF16080	160	80	172
VFBF160100	160	100	140
VFBF160125	160	125	101
VFBF160150	160	150	95
VFBF18080	180	80	204
VFBF180100	180	100	172

Code	φ D ₁ mm	φ D ₃ mm	Lmm
VFBF180125	180	125	132
VFBF180150	180	150	95
VFBF180160	180	160	95
VFBF20080	200	80	235
VFBF200100	200	100	204
VFBF200125	200	125	164
VFBF200150	200	150	124
VFBF200160	200	160	109
VFBF200180	200	180	95
VFBF22080	220	80	267
VFBF220100	220	100	235
VFBF220125	220	125	196

Code	φ D ₁ mm	φ D ₃ mm	Lmm
VFBF220150	220	150	156
VFBF220160	220	160	140
VFBF220200	220	200	95
VFBF25080	250	80	315
VFBF250100	250	100	283
VFBF250125	250	125	243
VFBF250150	250	150	204
VFBF250160	250	160	188
VFBF250200	250	200	124
VFBF28080	280	80	362
VFBF280100	280	100	330
VFBF280125	280	125	291

*If you didn't find the size you want, please contact us. Size range: 80-1700mm

DUCT FITTINGS

LOCKSEAMED



λ Description

The Eccentric Male Reducer is lock-seamed, fit different dimensions of pipes. It is used in ventilation system to distribute the air in the duct.

λ Application

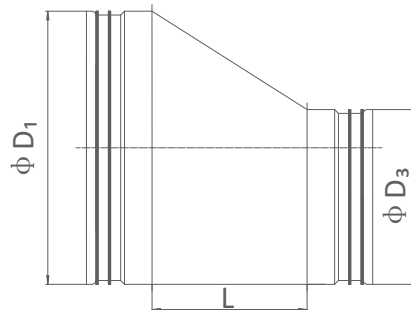
Apply to ventilation system of malls, hotels, hospitals and other areas.

ECENTRIC LOCKSEAMED MALE REDUCER

λ Drawing

NO.: MDVFRME12580
DATE:2017-10-6

Material: Galvanized Steel



λ Specification

Range: 80 ————— 1700

Code	ϕ D ₁ mm	ϕ D ₃ mm	Lmm
VFRME10080	100	80	50
VFRME12580	125	80	71
VFRME125100	125	100	50
VFRME15080	150	80	111
VFRME150100	150	100	79
VFRME150125	150	125	50
VFRME16080	160	80	127
VFRME160100	160	100	95
VFRME160125	160	125	56
VFRME160150	160	150	50
VFRME18080	180	80	159
VFRME180100	180	100	127

Code	ϕ D ₁ mm	ϕ D ₃ mm	Lmm
VFRME180125	180	125	87
VFRME180150	180	150	50
VFRME180160	180	160	50
VFRME20080	200	80	190
VFRME200100	200	100	159
VFRME200125	200	125	119
VFRME200150	200	150	79
VFRME200160	200	160	64
VFRME200180	200	180	50
VFRME22080	220	80	222
VFRME220100	220	100	190
VFRME220125	220	125	151

Code	ϕ D ₁ mm	ϕ D ₃ mm	Lmm
VFRME220150	220	150	111
VFRME220160	220	160	95
VFRME220200	220	200	50
VFRME25080	250	80	270
VFRME250100	250	100	238
VFRME250125	250	125	198
VFRME250150	250	150	159
VFRME250160	250	160	143
VFRME250200	250	200	79
VFRME28080	280	80	317
VFBME280100	280	100	286
VFBME280125	280	125	246

*If you didn't find the size you want, please contact us. Size range: 80-1700mm

DUCT FITTINGS

LOCKSEAMED



λ Description

The Female Reducer is lock-seamed, fit different dimensions of pipes. It is used in ventilation system to distribute the air in the duct.

λ Application

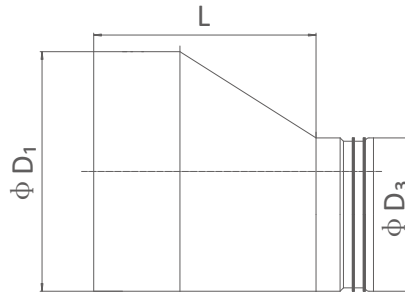
Apply to ventilation system of malls, hotels, hospitals and other areas.

LOCKSEAMED FEMALE REDUCER

λ Drawing

NO.: MDVFRFE12580
DATE:2017-10-6

Material: Galvanized Steel



λ Specification

Range: 80 ————— 1700

Code	φ D ₁ mm	φ D ₃ mm	Lmm
VFRFE10080	100	80	95
VFRFE12580	125	80	116
VFRFE125100	125	100	95
VFRFE15080	150	80	156
VFRFE150100	150	100	124
VFRFE150125	150	125	95
VFRFE16080	160	80	172
VFRFE160100	160	100	140
VFRFE160125	160	125	101
VFRFE160150	160	150	95
VFRFE18080	180	80	204
VFRFE180100	180	100	172

Code	φ D ₁ mm	φ D ₃ mm	Lmm
VFRFE180125	180	125	132
VFRFE180150	180	150	95
VFRFE180160	180	160	95
VFRFE20080	200	80	235
VFRFE200100	200	100	204
VFRFE200125	200	125	164
VFRFE200150	200	150	124
VFRFE200160	200	160	109
VFRFE200180	200	180	95
VFRFE22080	220	80	267
VFRFE220100	220	100	235
VFRFE220125	220	125	196

Code	φ D ₁ mm	φ D ₃ mm	Lmm
VFRFE220150	220	150	156
VFRFE220160	220	160	140
VFRFE220200	220	200	95
VFRFE25080	250	80	315
VFRFE250100	250	100	283
VFRFE250125	250	125	243
VFRFE250150	250	150	204
VFRFE250160	250	160	188
VFRFE250200	250	200	124
VFRFE28080	280	80	362
VFRFE280100	280	100	330
VFRFE280125	280	125	291

*If you didn't find the size you want, please contact us. Size range: 80-1700mm



DUCT FITTINGS



MALE COUPLING

λ Description

The Male Coupling is used to join or connect spiral pipes.

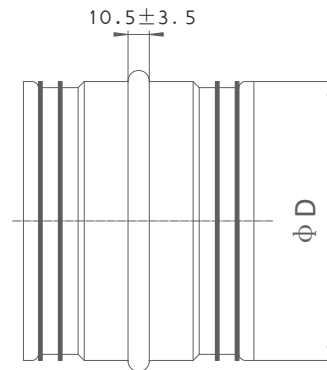
λ Application

Apply to ventilation system of malls, hotels, hospitals and other areas.

λ Drawing

NO.: MDVFCM125
DATE:2017-10-6

Material: Galvanized Steel



λ Specification

Range: 80 ————— 1700

Code	Φ Dmm	Code	Φ Dmm	Code	Φ Dmm	Code	Φ Dmm
VFCM80	80	VFCM350	350	VFCM700	700	VFCM1300	1300
VFCM100	100	VFCM355	355	VFCM750	750	VFCM1350	1350
VFCM125	125	VFCM380	380	VFCM800	800	VFCM1400	1400
VFCM150	150	VFCM400	400	VFCM850	850	VFCM1450	1450
VFCM160	160	VFCM420	420	VFCM900	900	VFCM1500	1500
VFCM180	180	VFCM450	450	VFCM950	950	VFCM1550	1550
VFCM200	200	VFCM480	480	VFCM1000	1000	VFCM1600	1600
VFCM220	220	VFCM500	500	VFCM1050	1050	VFCM1650	1650
VFCM250	250	VFCM550	550	VFCM1100	1100	VFCM1700	1700
VFCM280	280	VFCM600	600	VFCM1150	1150		
VFCM300	300	VFCM630	630	VFCM1200	1200		
VFCM315	315	VFCM650	650	VFCM1250	1250		



DUCT FITTINGS



FEMALE COUPLING

λ Description

The Female Coupling is used to join or connect spiral pipes.

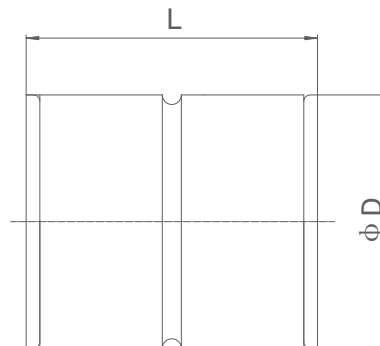
λ Application

Apply to ventilation system of malls, hotels, hospitals and other areas.

λ Drawing

NO.: MDVFCF125
DATE:2017-10-6

Material: Galvanized Steel



λ Specification

Range: 80 ————— 1700

Code	φ Dmm	Lmm	Code	φ Dmm	Lmm	Code	φ Dmm	Lmm	Code	φ Dmm	Lmm
VFCF80	80	92	VFCF350	350	98	VFCF700	700	168	VFCF1300	1300	208
VFCF100	100	98	VFCF355	355	98	VFCF750	750	168	VFCF1350	1350	208
VFCF125	125	98	VFCF380	380	98	VFCF800	800	168	VFCF1400	1400	208
VFCF150	150	98	VFCF400	400	98	VFCF850	850	168	VFCF1450	1450	208
VFCF160	160	98	VFCF420	420	138	VFCF900	900	168	VFCF1500	1500	208
VFCF180	180	98	VFCF450	450	138	VFCF950	950	172	VFCF1550	1550	208
VFCF200	200	98	VFCF480	480	138	VFCF1000	1000	212	VFCF1600	1600	208
VFCF220	220	98	VFCF500	500	138	VFCF1050	1050	208	VFCF1650	1650	208
VFCF250	250	98	VFCF550	550	138	VFCF1100	1100	208	VFCF1700	1700	212
VFCF280	280	98	VFCF600	600	112	VFCF1150	1150	208			
VFCF300	300	98	VFCF630	630	172	VFCF1200	1200	208			
VFCF315	315	92	VFCF650	650	138	VFCF1250	1250	208			



DUCT FITTINGS



λ Description

The Male Adjusting can adjust the spiral ducts which was cut into too short length.

λ Application

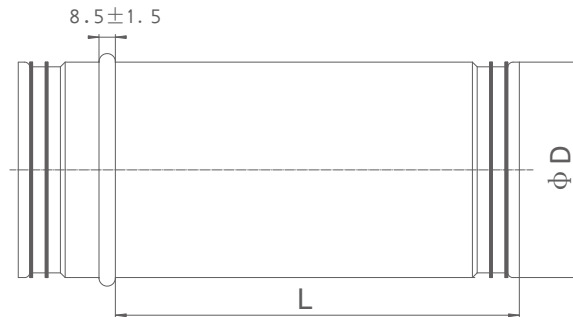
Apply to ventilation system of malls, hotels, hospitals and other areas.

MALE ADJUSTING

λ Drawing

NO.: MDVAM125
DATE:2017-10-6

Material: Galvanized Steel
L= 150mm / 300 mm / 500mm



λ Specification

Range: 80 ————— 1700

Code	φ Dmm	Code	φ Dmm	Code	φ Dmm	Code	φ Dmm
VFAM80	80	VFAM350	350	VFAM700	700	VFAM1300	1300
VFAM100	100	VFAM355	355	VFAM750	750	VFAM1350	1350
VFAM125	125	VFAM380	380	VFAM800	800	VFAM1400	1400
VFAM150	150	VFAM400	400	VFAM850	850	VFAM1450	1450
VFAM160	160	VFAM420	420	VFAM900	900	VFAM1500	1500
VFAM180	180	VFAM450	450	VFAM950	950	VFAM1550	1550
VFAM200	200	VFAM480	480	VFAM1000	1000	VFAM1600	1600
VFAM220	220	VFAM500	500	VFAM1050	1050	VFAM1650	1650
VFAM250	250	VFAM550	550	VFAM1100	1100	VFAM1700	1700
VFAM280	280	VFAM600	600	VFAM1150	1150		
VFAM300	300	VFAM630	630	VFCF1200	1200		
VFAM315	315	VFAM650	650	VFAM1250	1250		

DUCT FITTINGS



FEMALE ADJUSTING

λ Description

The Female Adjusting can adjust the spiral ducts which was cut into too short length.

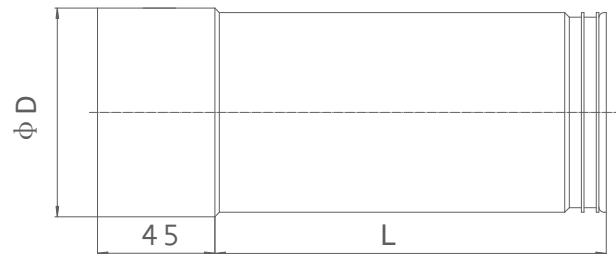
λ Application

Apply to ventilation system of malls, hotels, hospitals and other areas.

λ Drawing

NO.: MDVFAF125
DATE:2017-10-6

Material: Galvanized Steel
L= 150mm / 300 mm / 500mm



λ Specification

Range: 80 ————— 1700

Code	φ Dmm	Code	φ Dmm	Code	φ Dmm	Code	φ Dmm
VFAF80	80	VFAF350	350	VFAF700	700	VFAF1300	1300
VFAF100	100	VFAF355	355	VFAF750	750	VFAF1350	1350
VFAF125	125	VFAF380	380	VFAF800	800	VFAF1400	1400
VFAF150	150	VFAF400	400	VFAF850	850	VFAF1450	1450
VFAF160	160	VFAF420	420	VFAF900	900	VFAF1500	1500
VFAF180	180	VFAF450	450	VFAF950	950	VFAF1550	1550
VFAF200	200	VFAF480	480	VFAF1000	1000	VFAF1600	1600
VFAF220	220	VFAF500	500	VFAF1050	1050	VFAF1650	1650
VFAF250	250	VFAF550	550	VFAF1100	1100	VFAF1700	1700
VFAF280	280	VFAF600	600	VFAF1150	1150		
VFAF300	300	VFAF630	630	VFAF1200	1200		
VFAF315	315	VFAF650	650	VFAF1250	1250		



DUCT FITTINGS



END CAP

λ Description

The End Cap is used at the end of the duct or pipe.

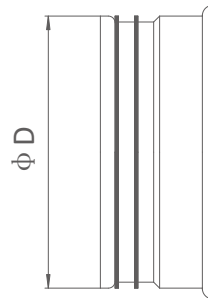
λ Application

Apply to ventilation system of malls, hotels, hospitals and other areas.

λ Drawing

NO.: MDVFCP125
DATE:2017-10-6

Material: Galvanized Steel



λ Specification

Range: 80 ————— 1700

Code	φ Dmm	Code	φ Dmm	Code	φ Dmm	Code	φ Dmm
VFCP80	80	VFCP350	350	VFCP700	700	VFCP1300	1300
VFCP100	100	VFCP355	355	VFCP750	750	VFCP1350	1350
VFCP125	125	VFCP380	380	VFCP800	800	VFCP1400	1400
VFCP150	150	VFCP400	400	VFCP850	850	VFCP1450	1450
VFCP160	160	VFCP420	420	VFCP900	900	VFCP1500	1500
VFCP180	180	VFCP450	450	VFCP950	950	VFCP1550	1550
VFCP200	200	VFCP480	480	VFCP1000	1000	VFCP1600	1600
VFCP220	220	VFCP500	500	VFCP1050	1050	VFCP1650	1650
VFCP250	250	VFCP550	550	VFCP1100	1100	VFCP1700	1700
VFCP280	280	VFCP600	600	VFCP1150	1150		
VFCP300	300	VFCP630	630	VFCP1200	1200		
VFCP315	315	VFCP650	650	VFCP1250	1250		



DUCT FITTINGS



S TYPE COUPLING

λ Description

The S Type Coupling is pressed in shape S to connect the spiral duct..

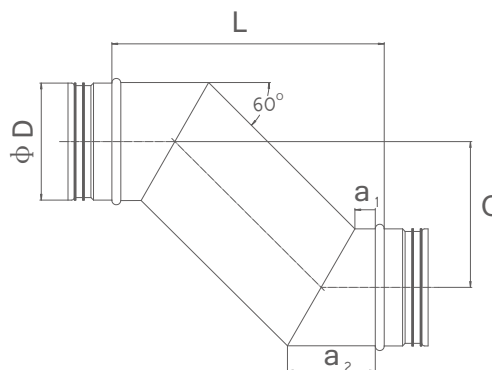
λ Application

Apply to ventilation system of malls, hotels, hospitals and other areas.

λ Drawing

NO.: MDVFCS80
DATE:2017-10-6

Material: Galvanized Steel
The size L, C, a₁, a₂ can be customized.



λ Specification

Range: 80 ————— 1700

Code	φ Dmm	Code	φ Dmm	Code	φ Dmm	Code	φ Dmm
VFCS80	80	VFCS350	350	VFCS700	700	VFCS1300	1300
VFCS100	100	VFCS355	355	VFCS750	750	VFCS1350	1350
VFCS125	125	VFCS380	380	VFCS800	800	VFCS1400	1400
VFCS150	150	VFCS400	400	VFCS850	850	VFCS1450	1450
VFCS160	160	VFCS420	420	VFCS900	900	VFCS1500	1500
VFCS180	180	VFCS450	450	VFCS950	950	VFCS1550	1550
VFCS200	200	VFCS480	480	VFCS1000	1000	VFCS1600	1600
VFCS220	220	VFCS500	500	VFCS1050	1050	VFCS1650	1650
VFCP250	250	VFCS550	550	VFCS1100	1100	VFCS1700	1700
VFCP280	280	VFCS600	600	VFCS1150	1150		
VFCP300	300	VFCS630	630	VFCS1200	1200		
VFCP315	315	VFCS650	650	VFCS1250	1250		



DUCT FITTINGS



AIR DAMPER

λ Description

The Air Damper is used in the duct to control the volume of air flow.

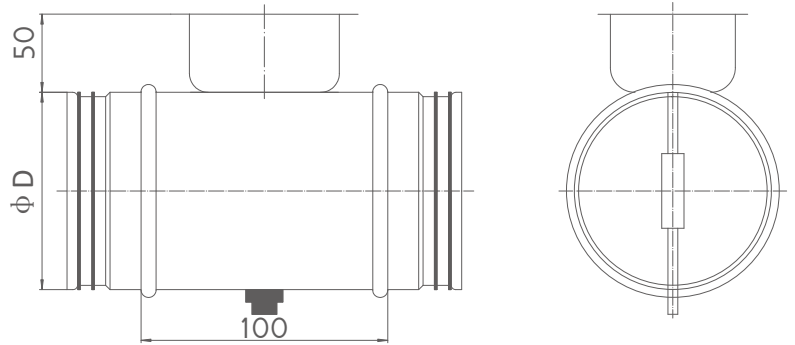
λ Application

Apply to ventilation system of malls, hotels, hospitals and other areas.

λ Drawing

NO.: MDVFDA80
DATE:2017-10-6

Material: Galvanized Steel
Motorized or airtight damper is available.



λ Specification

Code	φ Dmm	Code	φ Dmm
VFDA80	80	VFDA350	350
VFDA100	100	VFDA355	355
VFDA125	125	VFDA380	380
VFDA150	150	VFDA400	400
VFDA160	160	VFDA420	420
VFDA180	180	VFDA450	450
VFDA200	200	VFDA480	480
VFDA220	220	VFDA500	500
VFDA250	250	VFDA550	550
VFDA280	280	VFDA600	600
VFDA300	300		
VFDA315	315		

Range: 80 ————— 600